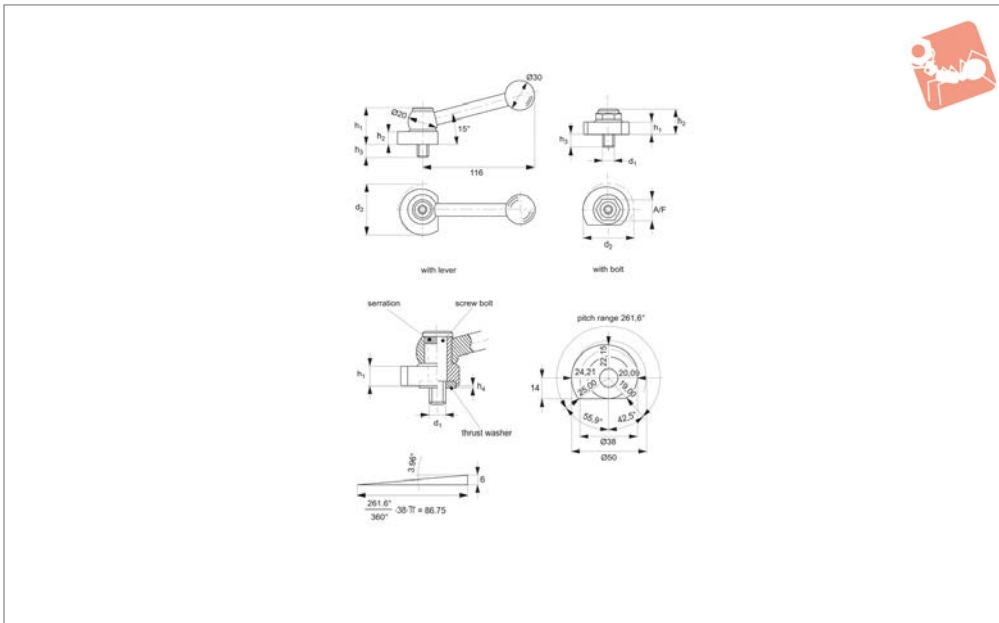




Eccentric Clamps - Side Action

steel or stainless steel



12500

STANDARD MANUAL CLAMPING

Material

Steel Type:

Body: steel, blackened. Spiral eccentric and washer case hardened.

Screw: bolt nitrated.

Ball knob: DIN 319 black plastic, (PF31).

Stainless Steel Type:

Body: stainless steel 1.4305 (AISI 303), nickel plated.

Screw: stainless steel 1.4021, heat-

treated, nickel plated.

Ball knob: DIN 319 black plastic, (PF31).

Technical Notes

The screw bolt and washer can be pre-set together so that the clamp can be easily rotated to any position - by means of the serrations. By removing the washer the clamp can also be used as an infinitely adjustable stop.

Tips

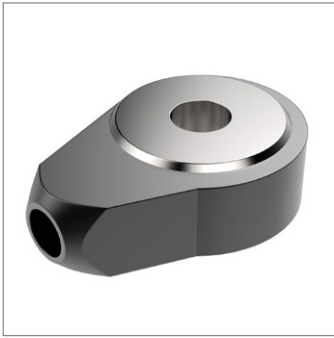
No. 12500 eccentric clamp, clamps from the SIDE.

Left hand acting version available on request.

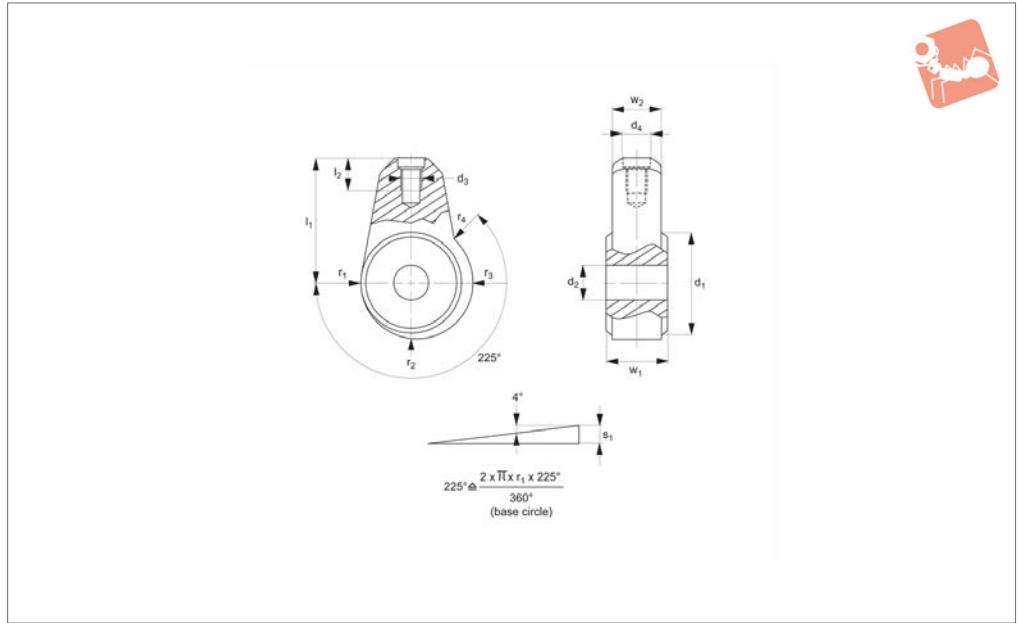
No. 12520 clamping catch, clamps from ABOVE or BELOW.

Left hand acting version can be supplied on request.

Order No.	Material	d ₁	h ₁	d ₂	h ₂	h ₃	h ₄	Type	A/F	Clamping surface	Weight g
12500.W0050	Steel	M10	34.5	50	12	11	0.2	With Lever	-	Side	317
12500.W0150	Steel	M10	24.0	50	12	11	0.2	With Bolt	19	Side	159
12500.W0051	Stainless Steel	M10	34.5	50	12	11	0.2	With Lever	-	Side	317
12500.W0151	Stainless Steel	M10	25.0	50	12	11	0.2	With Bolt	19	Side	159



12505



STANDARD MANUAL CLAMPING

Material

Body: sintered steel, case hardened.

clamping force and are self-locking in any position. Use in conjunction with gear lever handle part 74600.

Technical Notes

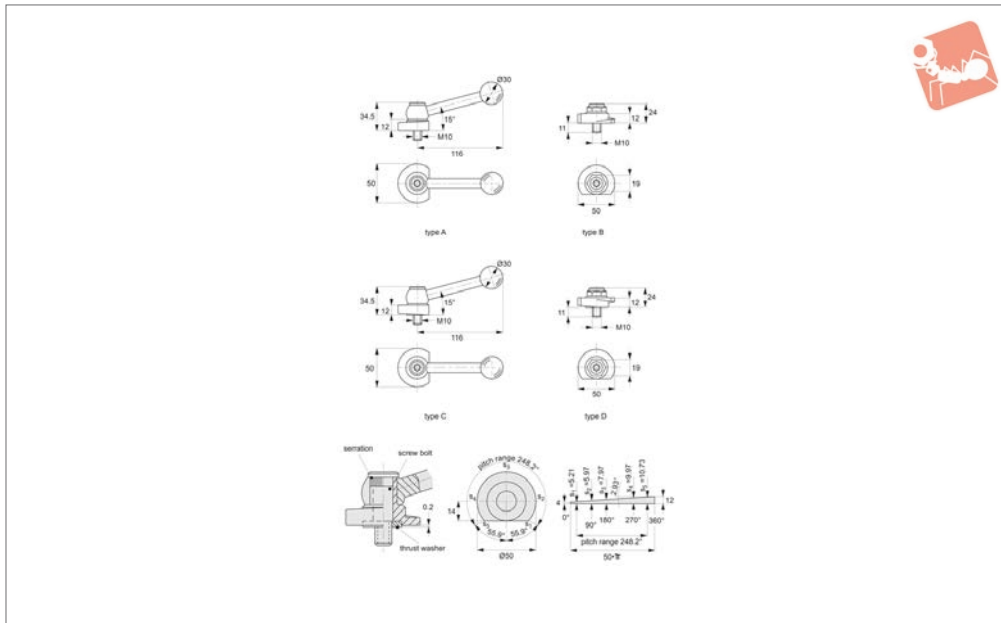
These eccentric clamps provide constant

Order No.	w_1 -0.05 -0.15	w_2	l_1	d_1	d_2 tol. h9	d_3	d_4	Corres. handle dia. 74600	l_2	r_1	r_2	R_3	r_4	Stroke s_1	Weight g
12505.W0210	13	11	28	24	8	M 6		8	9	12.0	13.3	14.6	15.3	3.3	50
12505.W0220	15	13	32	30	10	M 8		10	12	15.0	16.7	18.3	19.1	4.1	100
12505.W0230	17	15	36	35	12	M10		12	15	17.5	19.4	21.3	22.3	4.8	150



Eccentric Clamps

top/bottom surface - steel or stainless steel



12520

STANDARD MANUAL CLAMPING

Material

Steel Type:

Body: steel, blackened. Spiral eccentric and washer case hardened.

Screw: bolt nitrated.

Gear lever handle: steel, ground, blackened.

Ball knob: DIN 319 black plastic, (PF31).

Stainless Steel Type:

Body: stainless steel 1.4305 (AISI 303),

nickel plated.

Screw: stainless steel 1.4021, heat-treated, nickel plated.

Gear lever handle: stainless steel, 1.4305, dull blasted.

Ball knob: DIN 319 black plastic, (PF31).

Technical Notes

Through manually adjusting the setting of the clamping lever, the lever can be placed

in the most convenient position for clamping.

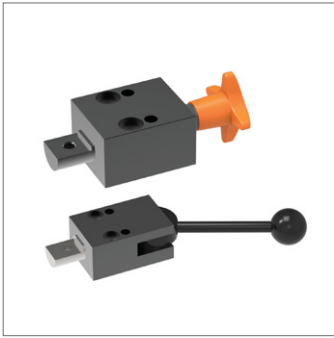
Tips

Type A & B - force generated from TOP of catch.

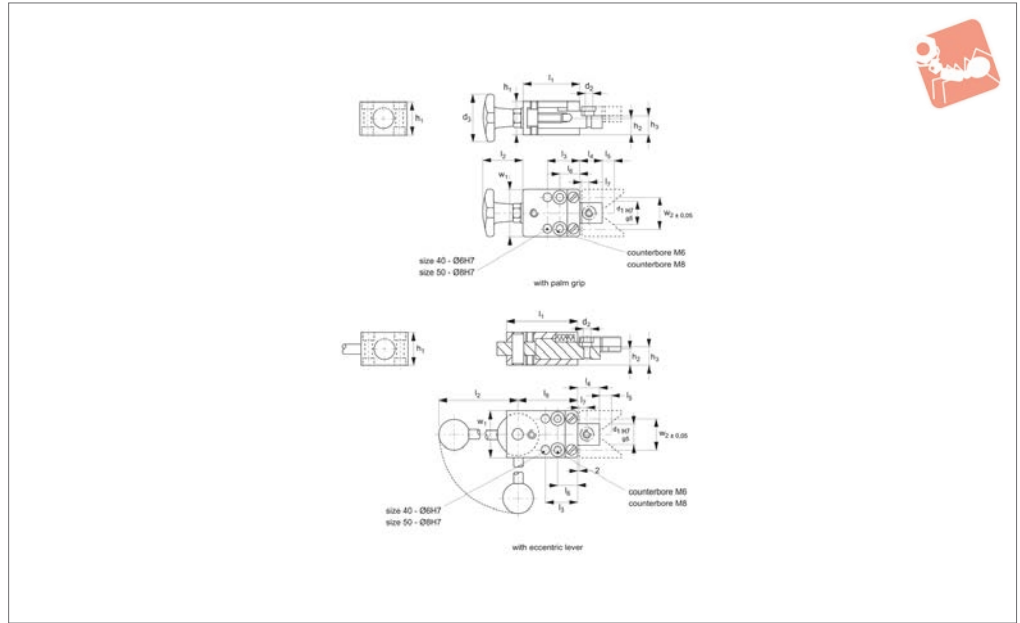
Type C & D - force generated from BOTTOM of catch.

Left hand acting version can be supplied on request.

Order No.	Material	Type	Clamping surface	Description	Weight g
12520.W0250	Steel	Type A	Top	Pitch Opposite to Bearing Surface	304
12520.W0350	Steel	Type B	Top	Pitch Opposite to Bearing Surface	154
12520.W0450	Steel	Type C	Bottom	Pitch on Bearing Surface	312
12520.W0550	Steel	Type D	Bottom	Pitch on Bearing Surface	154
12520.W0251	Stainless Steel	Type A	Top	Pitch Opposite to Bearing Surface	310
12520.W0351	Stainless Steel	Type B	Top	Pitch Opposite to Bearing Surface	154
12520.W0451	Stainless Steel	Type C	Bottom	Pitch on Bearing Surface	317
12520.W0551	Stainless Steel	Type D	Bottom	Pitch on Bearing Surface	153



17440



Material

Body: steel, case-hardened, ground and blackened.

Star grip: no. 70020 (orange).

Lever: no. 73000 (black).

Technical Notes

Suitable for simultaneous positioning and

clamping of workpieces.

The locating element is a precision element which can be assembled from either side.

Tips

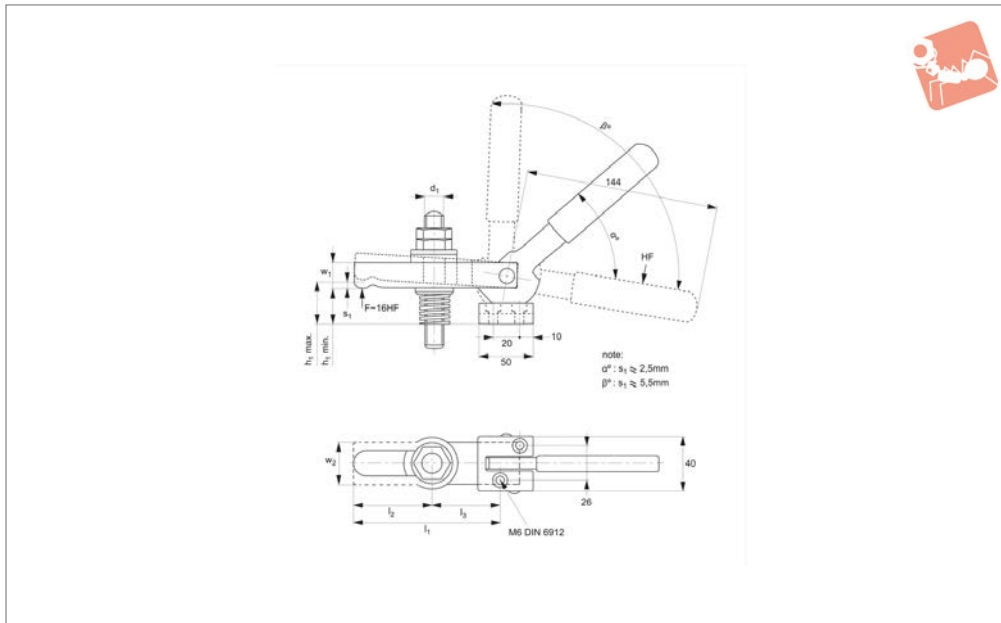
The clamping and fixing part (made by the user to suit the workpiece) is screwed onto the unit.

Order No.	w ₁	w ₂ ±0.05	l ₁	d ₁ tol. H7/g5	h ₁	d ₂	d ₃	h ₂	h ₃	l ₂	l ₃	l ₄	l ₅	l ₆	l ₇	l ₈	Type	Weight g
17440.W0040	40	27	50	18	29,8	M 6	40	14,9	16,9	33	28	19	9	17	8		With palm grip	505
17440.W0050	50	33	60	22	34,8	M 8	50	17,4	19,4	42	34	24	10	21	10		With palm grip	862
17440.W0440	40	27	60	18	29,8	M 6		14,9	16,9	96	28	19	3	17	8	50	Eccentric lever	566
17440.W0450	50	33	75	22	34,8	M 8		17,4	19,4	145	34	24	4	21	10	63	Eccentric lever	1071



Cam Clamps with clamp and bolt

Standard Manual Clam-



18000

STANDARD MANUAL CLAMPING

Material

Steel, heat-treated, burnished.

Actuation by hand requires force (HF) of 150N approximately.

tely 16x hand force (HF) applied.

Tips

Especially useful on component fixtures.

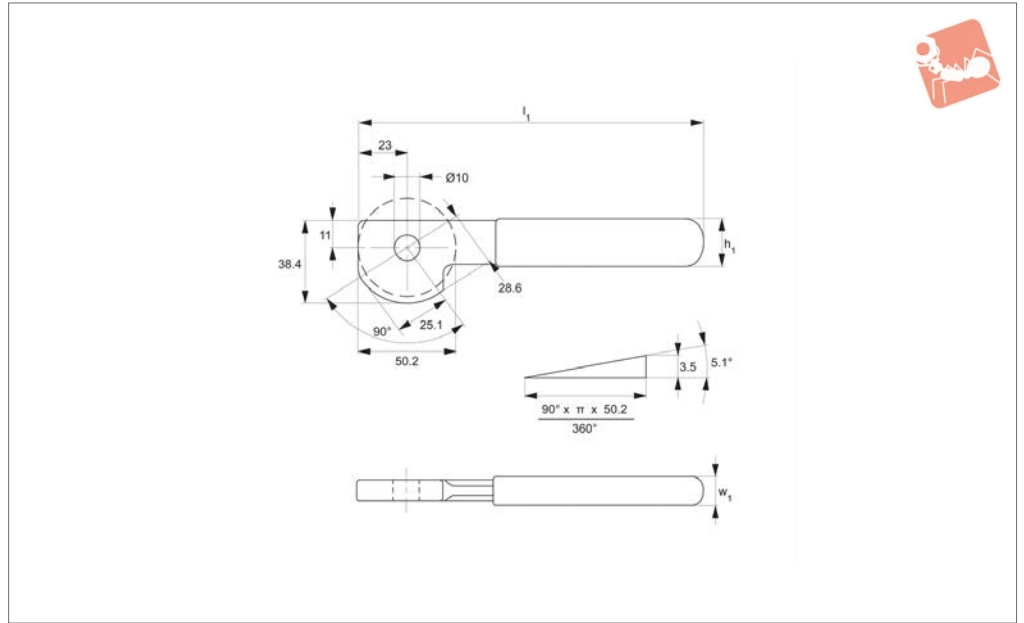
Important Notes

Clamping force (F) exerted is approxima-

Order No.	w ₁	w ₂	l ₁	d ₁	h ₁ min.	h ₁ max.	l ₂	l ₃	Weight g
18000.W0001	30	20	100	M12	26	35	21-43	37	1000
18000.W0002	40	20	125	M16	26	35	34-66	45	1400



18020



Material

Steel, heat-treated.
Handle: plastic, coated.

Technical Notes

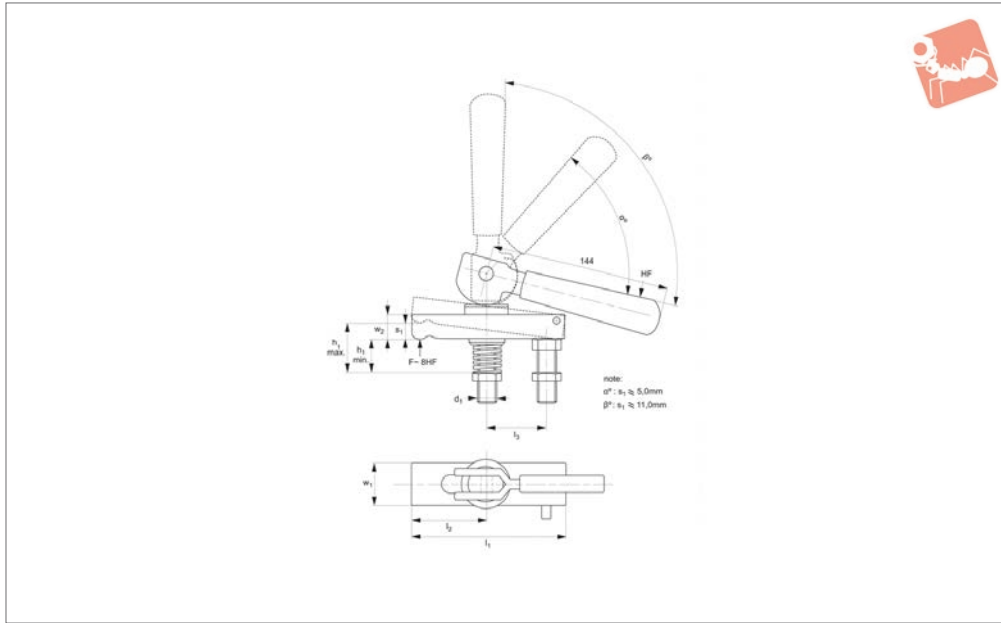
Cam lever for end clamping.

Order No.	w_1	l_1	h_1	Weight g
18020.W0001	14	167	24	300



Cam Clamps - Centre Acting with clamp and bolt

Standard
Manual Clam-



18040

STANDARD MANUAL CLAMPING

Material

Body: steel, heat-treated.
Handle: plastic, coated.

Tips

Actuation by hand requires force of approxi-

mately 150N (HF).

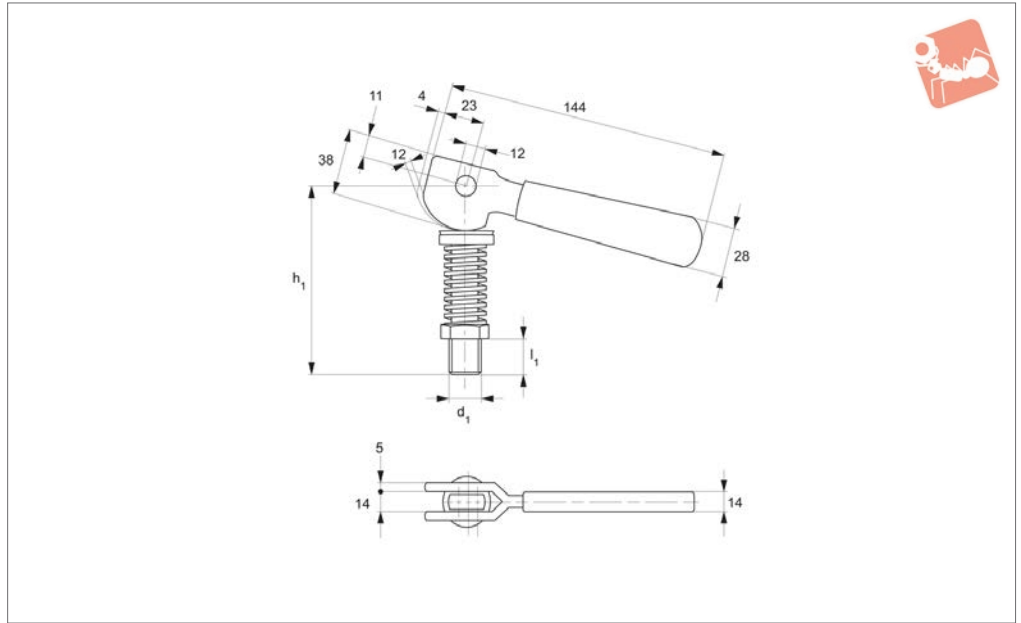
Important Notes

Clamping force (F) achieved is approximately 8x hand force (HF) applied.

Order No.	w ₁	w ₂	l ₁	d ₁	h ₁ min.	h ₁ max.	l ₂	l ₃	Weight g
18040.W0001	30	20	100	M12	30	45	21 - 43	32	1000
18040.W0002	40	20	125	M16	35	50	34 - 66	40	1450



18080



STANDARD MANUAL CLAMPING

Material

Lever: steel, heat-treated.
Handle: plastic, coated.

Technical Notes

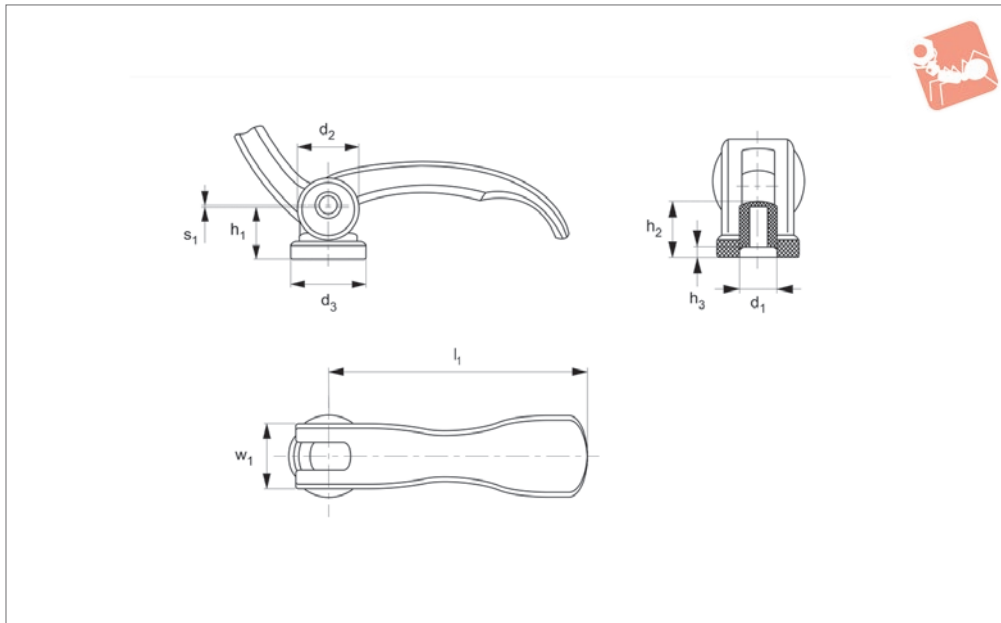
Cam lever for centre clamping.

Order No.	l_1	d_1	h_1	Type	Weight g
18080.W0001	25	M12	110	With Bolt	500
18080.W0002	30	M16	120	With Bolt	610
18080.W0100	-	-	-	Without Bolt	310



Cam Levers - Female fixed

Standard Manual Clam-



18580.1

STANDARD MANUAL CLAMPING

Material

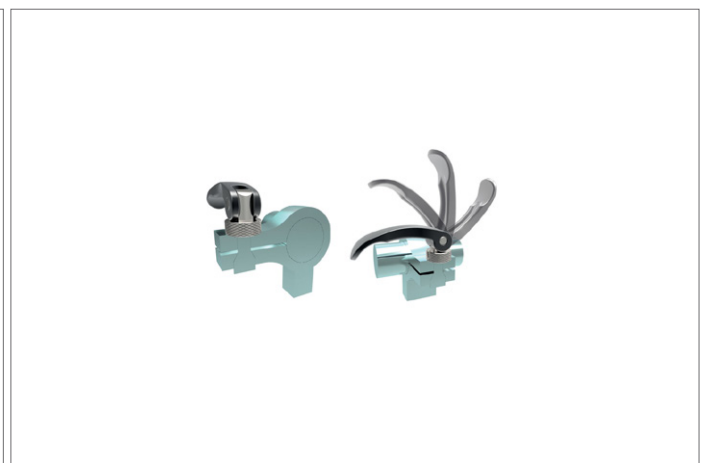
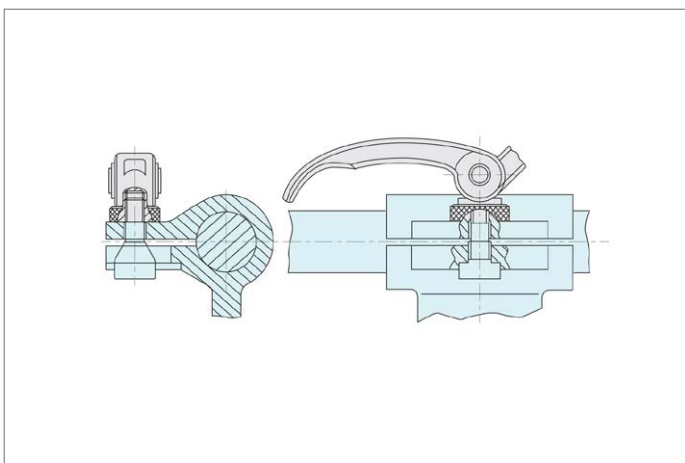
Handle: zinc die-cast, black plastic coated.
Threaded part, inner parts, adjusting nut:
steel, galvanised or stainless 1.4305.

Bearing washer: glass reinforced, thermo-
plastic.

Technical Notes

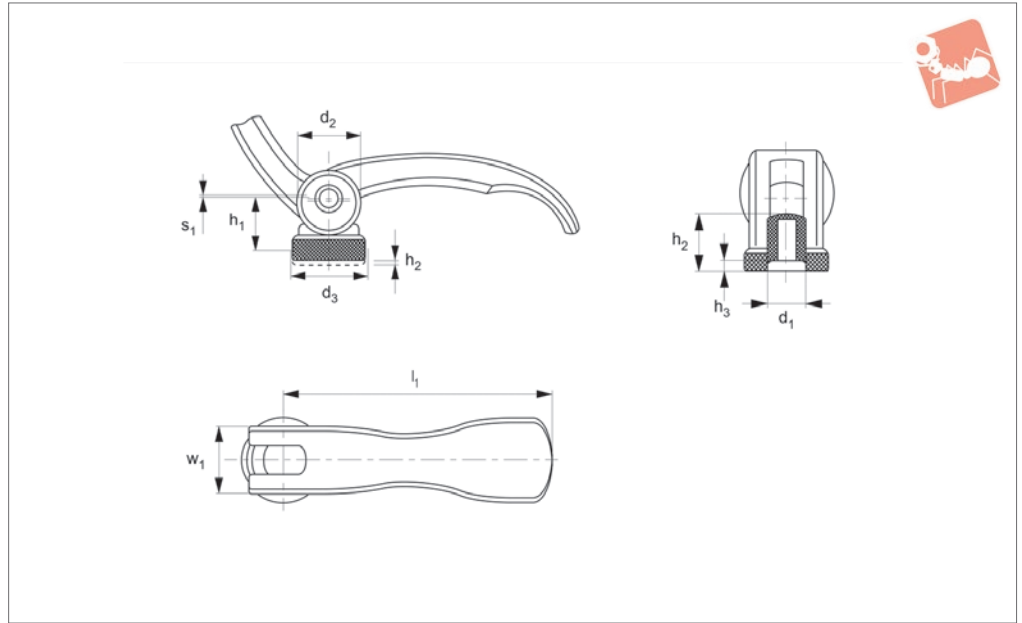
Enables quick and easy clamping of work-
pieces.
Withstands temperatures of up to 80°C.

Order No.	Material	w ₁	l ₁	d ₁	h ₁ max.	d ₂	d ₃	h ₂	h ₃	Clamping stroke s ₁	Weight g
18580.W0003	Steel	16	63	M 5	16.4	16	18.5	13	3.0	0.75	60
18580.W0001	Steel	16	63	M 6	16.4	16	18.5	13	3.0	0.75	58
18580.W0002	Steel	20	82	M 8	19.5	20	22.5	15	3.7	1.00	116
18580.W0203	Stainless	16	63	M 5	16.4	16	18.5	13	3.0	0.75	60
18580.W0201	Stainless	16	63	M 6	16.4	16	18.5	13	3.0	0.75	58
18580.W0202	Stainless	20	82	M 8	19.5	20	22.5	15	3.7	1.00	116





18580.2



Material

Handle: zinc die-cast, black plastic coated.
Threaded part, inner parts, adjusting nut:
stainless steel (AISI 303, 1.4305).
Bearing washer: reinforced glass, thermo-

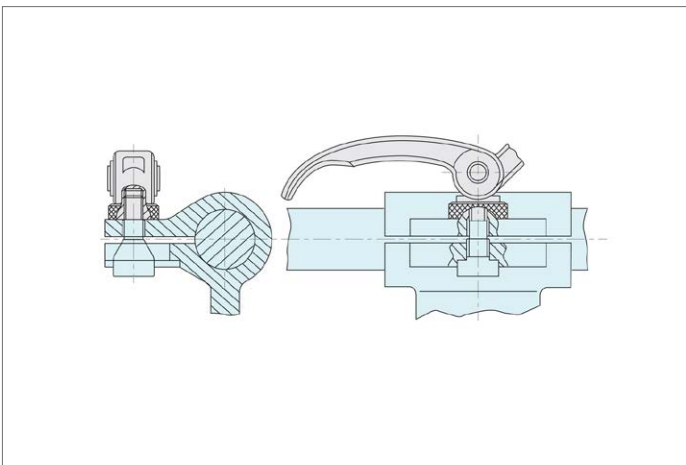
plastic.

Technical Notes

Enables quick and easy clamping of work-pieces.

Adjustable type enables repositioning of lever to avoid obstruction of the work-piece.
Withstands temperatures of up to 80° C.

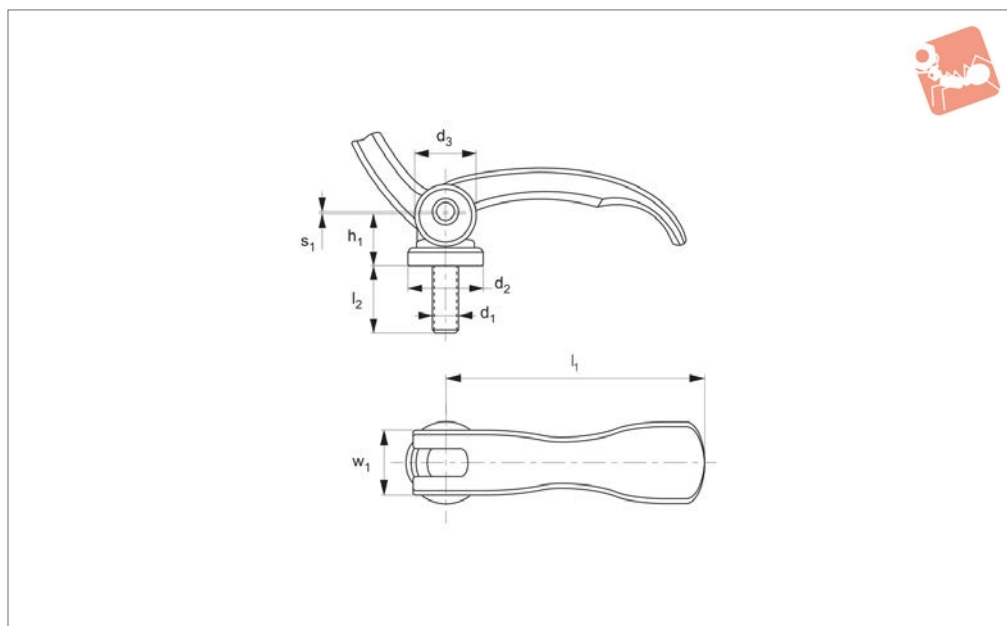
Order No.	Material	w ₁	l ₁	d ₁	h ₁ max.	d ₂	d ₃	Range of adj. h ₂	h ₃	h ₄ min.	Clamping stroke s ₁	Weight g
18580.W0302	Stainless	20	82	M 8	19.5	20	25	2.5	15	3.7	1.00	130
18580.W0303	Stainless	16	63	M 5	16.4	16	19	1.5	13	3.0	0.75	65
18580.W0301	Stainless	16	63	M 6	16.4	16	19	1.5	13	3.0	0.75	64
18580.W0102	Steel	20	82	M 8	19.5	20	25	2.5	15	3.7	1.00	130
18580.W0103	Steel	16	63	M 5	16.4	16	19	1.5	13	3.0	0.75	65
18580.W0101	Steel	16	63	M 6	16.4	16	19	1.5	13	3.0	0.75	64





Eccentric Levers - Male fixed

Standard Manual Clam-



18582.1

STANDARD MANUAL CLAMPING

Material

Handle: zinc die-cast, black plastic coated.
Grub screw, inner parts, adjusting nut: steel, galvanised, or stainless steel 1.4305.

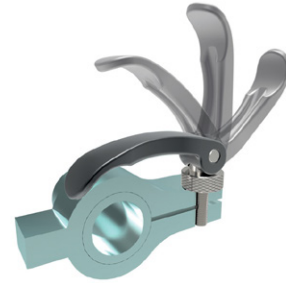
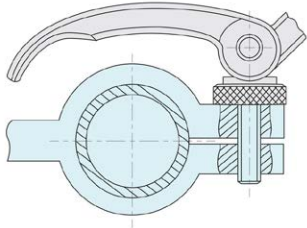
Bearing washer: Thermoplastic (POM), glass-reinforced.

pieces. Withstands temperatures of up to 80° C.

Technical Notes

Enables quick and easy clamping of work-

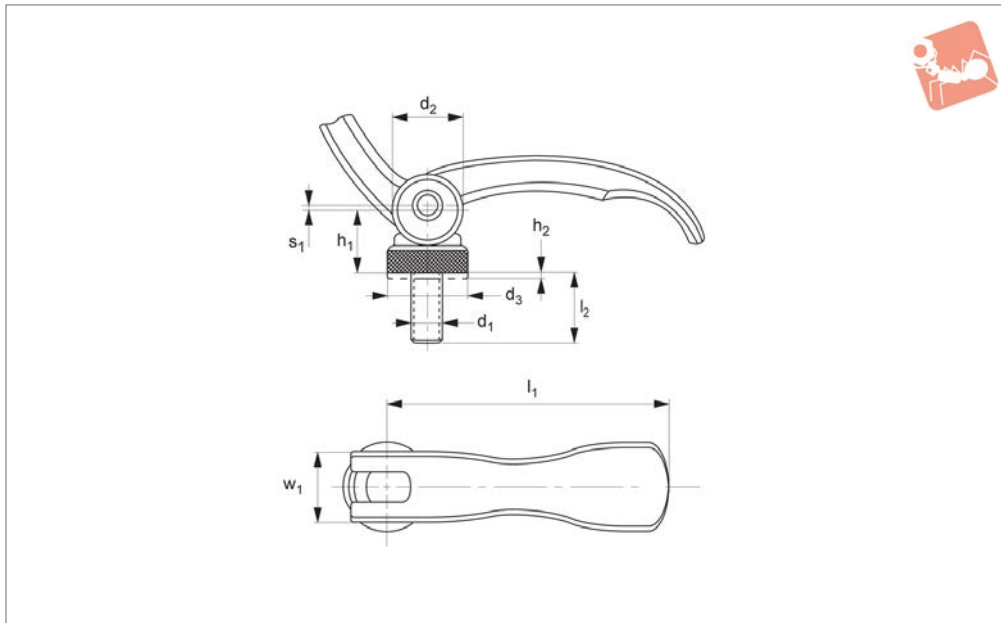
Order No.	Material	w ₁	l ₁	d ₁	h ₁ max.	d ₂	d ₃	l ₂ max.	Clamping stroke s ₁	Weight g
18582.W0009	Steel	16	63	M 6	16.4	16	18.5	16	0.75	63
18582.W0012	Steel	16	63	M 6	16.4	16	18.5	30	0.75	66
18582.W0014	Steel	16	63	M 6	16.4	16	18.5	40	0.75	68
18582.W0016	Steel	16	63	M 6	16.4	16	18.5	50	0.75	68
18582.W0019	Steel	20	82	M 8	19.5	20	22.5	20	1.00	129
18582.W0020	Steel	20	82	M 8	19.5	20	22.5	25	1.00	130
18582.W0022	Steel	20	82	M 8	19.5	20	22.5	35	1.00	133
18582.W0023	Steel	20	82	M 8	19.5	20	22.5	40	1.00	135
18582.W0030	Steel	16	63	M 5	16.4	16	18.5	16	0.75	62
18582.W0031	Steel	16	63	M 5	16.4	16	18.5	20	0.75	63
18582.W0032	Steel	16	63	M 5	16.4	16	18.5	25	0.75	64
18582.W0033	Steel	16	63	M 5	16.4	16	18.5	30	0.75	65
18582.W0034	Steel	16	63	M 5	16.4	16	18.5	35	0.75	65
18582.W0035	Steel	16	63	M 5	16.4	16	18.5	40	0.75	66
18582.W0036	Steel	16	63	M 5	16.4	16	18.5	50	0.75	67
18582.W0209	Stainless	16	63	M 6	16.4	16	18.5	16	0.75	63
18582.W0212	Stainless	16	63	M 6	16.4	16	18.5	30	0.75	66
18582.W0214	Stainless	16	63	M 6	16.4	16	18.5	40	0.75	68
18582.W0216	Stainless	16	63	M 6	16.4	16	18.5	50	0.75	68
18582.W0219	Stainless	20	82	M 8	19.5	20	22.5	20	1.00	129
18582.W0220	Stainless	20	82	M 8	19.5	20	22.5	25	1.00	130
18582.W0222	Stainless	20	82	M 8	19.5	20	22.5	35	1.00	133
18582.W0223	Stainless	20	82	M 8	19.5	20	22.5	40	1.00	135
18582.W0230	Stainless	16	63	M 5	16.4	16	18.5	16	0.75	62
18582.W0231	Stainless	16	63	M 5	16.4	16	18.5	20	0.75	63
18582.W0232	Stainless	16	63	M 5	16.4	16	18.5	25	0.75	64
18582.W0233	Stainless	16	63	M 5	16.4	16	18.5	30	0.75	65
18582.W0234	Stainless	16	63	M 5	16.4	16	18.5	35	0.75	65
18582.W0235	Stainless	16	63	M 5	16.4	16	18.5	40	0.75	66
18582.W0236	Stainless	16	63	M 5	16.4	16	18.5	50	0.75	67





Eccentric Levers - Male adjustable

Standard Manual Clam-



18582.2

STANDARD MANUAL CLAMPING

Material

Handle: zinc die-cast, black plastic coated.
Grub screw, inner parts, adjusting nut: steel, zinc plated or stainless steel (AISI 303, 1.4305).

Bearing washer: Thermoplastic (POM), glass-reinforced.

Technical Notes

Enables quick and easy clamping of work-

pieces. Adjustable type enables re-positioning of lever to avoid obstruction of the workpiece.

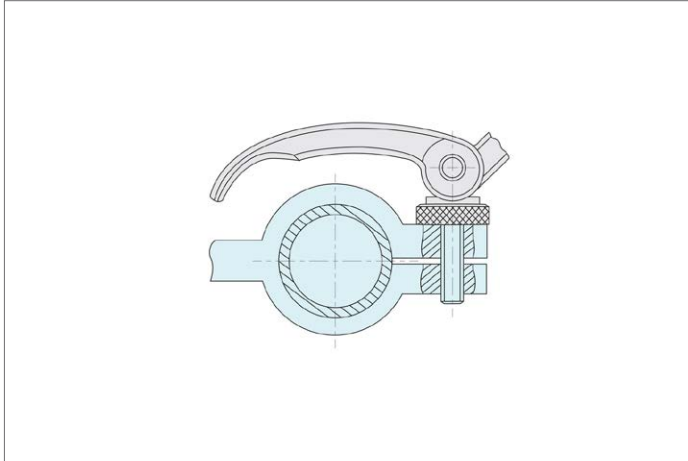
Withstands temperatures of up to 80° C.

Order No.	Material	w ₁	l ₁	d ₁	h ₁ max.	d ₂	d ₃	h ₂ range of adj.	l ₂ max.	Type	Clamping stroke s ₁	Weight g
18582.W0130	Steel	16	63	M 5	16.4	16	19	1.5	16	Adjustable	0.75	68
18582.W0131	Steel	16	63	M 5	16.4	16	19	1.5	20	Adjustable	0.75	69
18582.W0132	Steel	16	63	M 5	16.4	16	19	1.5	25	Adjustable	0.75	70
18582.W0133	Steel	16	63	M 5	16.4	16	19	1.5	30	Adjustable	0.75	71
18582.W0134	Steel	16	63	M 5	16.4	16	19	1.5	35	Adjustable	0.75	71
18582.W0135	Steel	16	63	M 5	16.4	16	19	1.5	40	Adjustable	0.75	72
18582.W0136	Steel	16	63	M 5	16.4	16	19	1.5	50	Adjustable	0.75	73
18582.W0109	Steel	16	63	M 6	16.4	16	19	1.5	16	Adjustable	0.75	69
18582.W0110	Steel	16	63	M 6	16.4	16	19	1.5	20	Adjustable	0.75	69
18582.W0111	Steel	16	63	M 6	16.4	16	19	1.5	25	Adjustable	0.75	71
18582.W0112	Steel	16	63	M 6	16.4	16	19	1.5	30	Adjustable	0.75	72
18582.W0113	Steel	16	63	M 6	16.4	16	19	1.5	35	Adjustable	0.75	73
18582.W0114	Steel	16	63	M 6	16.4	16	19	1.5	40	Adjustable	0.75	74
18582.W0116	Steel	16	63	M 6	16.4	16	19	1.5	50	Adjustable	0.75	76
18582.W0120	Steel	20	82	M 8	19.5	20	25	2.5	25	Adjustable	1.00	142
18582.W0121	Steel	20	82	M 8	19.5	20	25	2.5	30	Adjustable	1.00	144
18582.W0122	Steel	20	82	M 8	19.5	20	25	2.5	35	Adjustable	1.00	146
18582.W0125	Steel	20	82	M 8	19.5	20	25	2.5	50	Adjustable	1.00	152
18582.W0127	Steel	20	82	M 8	19.5	20	25	2.5	60	Adjustable	1.00	156
18582.W0330	Stainless	16	63	M 5	16.4	16	19	1.5	16	Adjustable	0.75	68
18582.W0331	Stainless	16	63	M 5	16.4	16	19	1.5	20	Adjustable	0.75	69
18582.W0332	Stainless	16	63	M 5	16.4	16	19	1.5	25	Adjustable	0.75	70
18582.W0333	Stainless	16	63	M 5	16.4	16	19	1.5	30	Adjustable	0.75	71
18582.W0334	Stainless	16	63	M 5	16.4	16	19	1.5	35	Adjustable	0.75	71
18582.W0335	Stainless	16	63	M 5	16.4	16	19	1.5	40	Adjustable	0.75	72
18582.W0336	Stainless	16	63	M 5	16.4	16	19	1.5	50	Adjustable	0.75	73
18582.W0309	Stainless	16	63	M 6	16.4	16	19	1.5	16	Adjustable	0.75	69
18582.W0310	Stainless	16	63	M 6	16.4	16	19	1.5	20	Adjustable	0.75	69
18582.W0311	Stainless	16	63	M 6	16.4	16	19	1.5	25	Adjustable	0.75	71
18582.W0312	Stainless	16	63	M 6	16.4	16	19	1.5	30	Adjustable	0.75	72
18582.W0313	Stainless	16	63	M 6	16.4	16	19	1.5	35	Adjustable	0.75	73
18582.W0314	Stainless	16	63	M 6	16.4	16	19	1.5	40	Adjustable	0.75	74
18582.W0316	Stainless	16	63	M 6	16.4	16	19	1.5	50	Adjustable	0.75	76



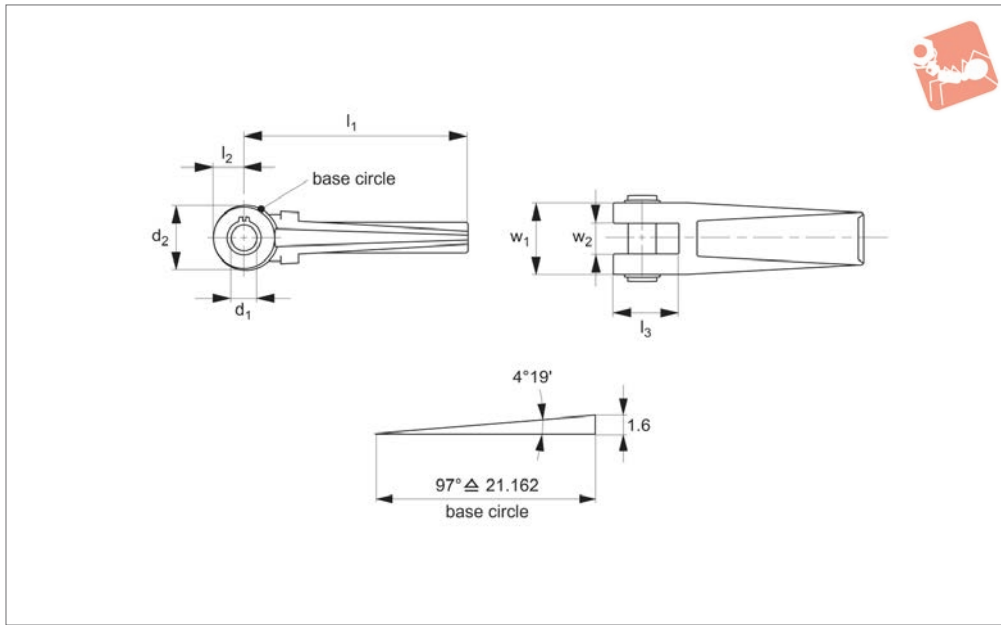
Order No.	Material	w ₁	l ₁	d ₁	h ₁ max.	d ₂	d ₃	h ₂ range of adj.	l ₂ max.	Type	Clamping stroke s ₁	Weight g
18582.W0320	Stainless	20	82	M 8	19.5	20	25	2.5	25	Adjustable	1.00	142
18582.W0321	Stainless	20	82	M 8	19.5	20	25	2.5	30	Adjustable	1.00	144
18582.W0322	Stainless	20	82	M 8	19.5	20	25	2.5	35	Adjustable	1.00	146
18582.W0325	Stainless	20	82	M 8	19.5	20	25	2.5	50	Adjustable	1.00	152
18582.W0327	Stainless	20	82	M 8	19.5	20	25	2.5	60	Adjustable	1.00	156

STANDARD MANUAL CLAMPING





Eccentric Levers - Double Surface with fulcrum pin 18640



18600

STANDARD MANUAL CLAMPING

Material

Lever: steel, alloyed, case-hardened and blackened.
Fulcrum pin: steel, case-hardened and

ground. Complete with circlips.

Technical Notes

Eccentric clamping cams on both sides.

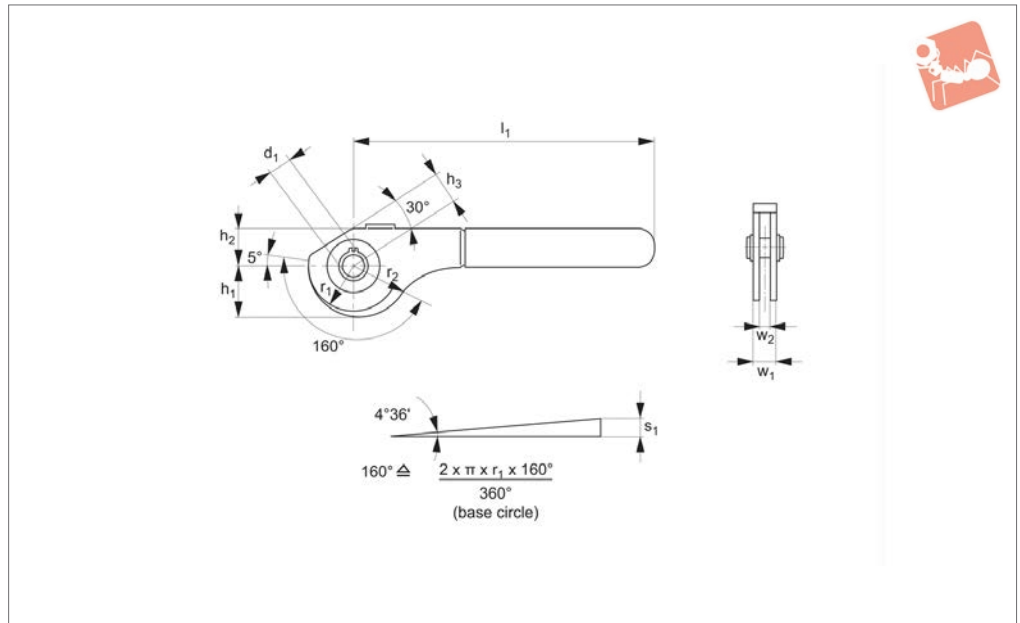
Tips

Can be used with swing bolts.

Order No.	w ₁	w ₂	l ₁	d ₁	d ₂	l ₂	l ₃	Weight g
18600.W0012	32	14.1	100	12	28	12.5	28.5	334



18620



Material

Eccentric: steel (ST52-3, 1.0570), zinc phosphated or stainless steel, (AISI 304, 1.4301).

Circlip: stainless steel (AISI 301, 1.4310).

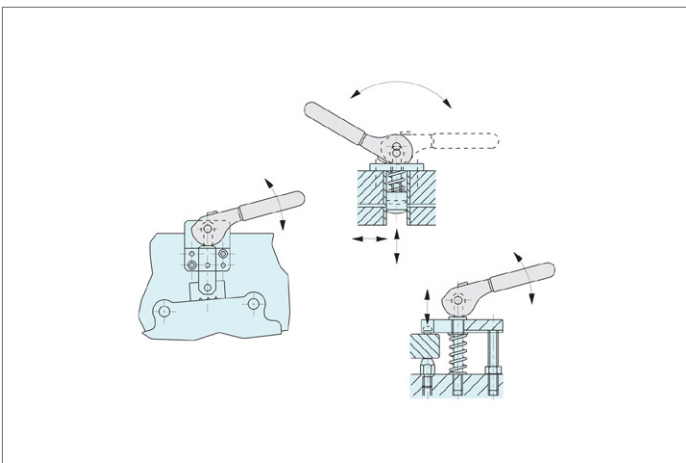
Fulcrum pin: stainless steel (AISI 420, 1.4021), heat-treated.

Grip: red PVC, max. temperature 60°C.

Technical Notes

Supplied with fulcrum pin no. 18640.

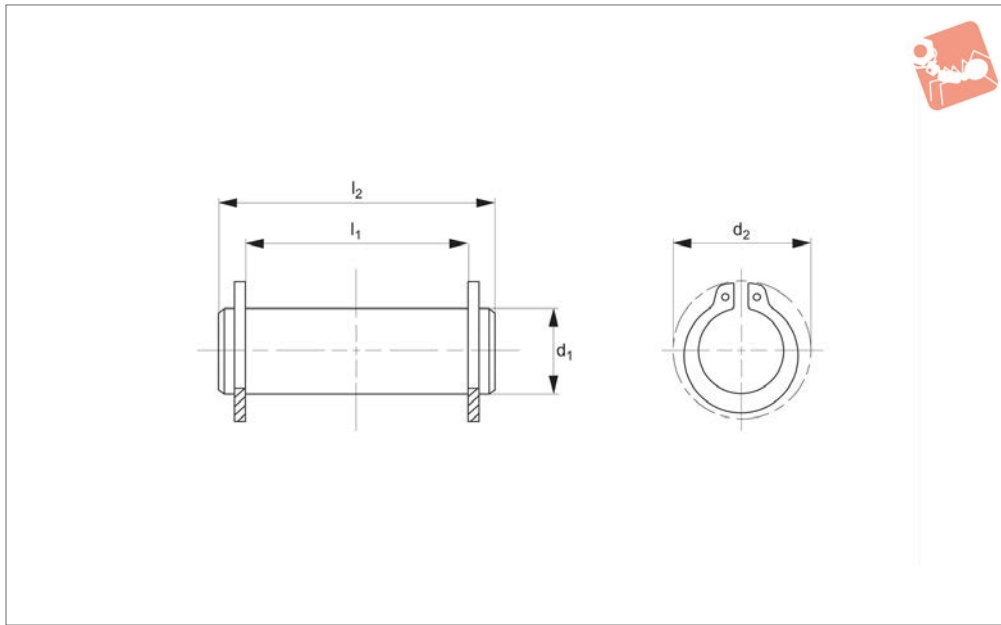
Order No.	w ₁	w ₂	l ₁	d ₁ tol. f8	h ₁	h ₂	h ₃	r ₁	r ₂	Eccentric stroke s ₁	Total stroke r ₂ - h ₃	Type	Weight g
18620.W0408	13	9	114	8	19.54	14	12	17.2	21.07	3.87	9.07	Steel	93
18620.W0410	17	12	138	10	24.54	17	15	21.6	26.45	4.85	11.45	Steel	178
18620.W0412	20	14	157	12	31.81	21	18	28.0	34.29	6.29	16.29	Steel	290
18620.W0508	13	9	114	8	19.54	14	12	17.2	21.07	3.87	9.07	Stainless Steel	94
18620.W0510	17	12	138	10	24.54	17	15	21.6	26.45	4.85	11.45	Stainless Steel	175
18620.W0512	20	14	157	12	31.81	21	18	28.0	34.29	6.29	16.29	Stainless Steel	288





Fulcrum Pins - Stainless Steel

for eccentric levers 18620



18640

STANDARD MANUAL CLAMPING

Material

Pin: stainless steel (AISI 420, 1.4021), heat treated.

Circlip: stainless steel (AISI 301, 1.4310) -

supplied.

Technical Notes

Suitable for eccentric levers no.18620 and

similar applications.

Order No.	l_1 -0.5	d_1 tol. f8	d_2	l_2	Weight g
18640.W0082	14	8	14.7	18	7.7
18640.W0085	21	8	14.7	27	10.0
18640.W0102	18	10	17.0	24	14.0
18640.W0105	29	10	17.0	35	21.0
18640.W0122	21	12	19.0	27	23.0
18640.W0125	31	12	19.0	37	34.0