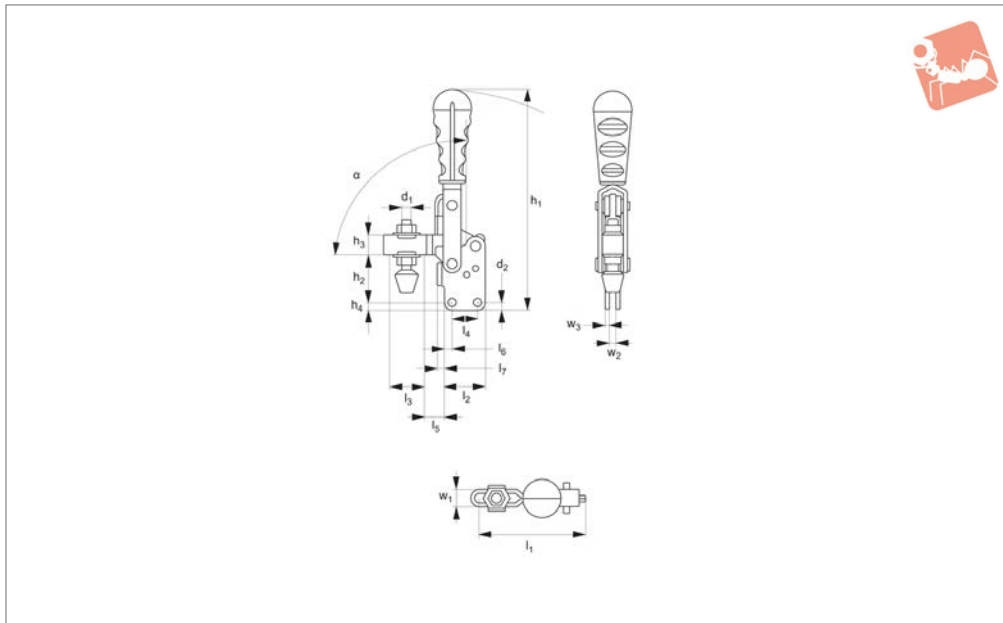




Toggle Clamps - Vertical Acting

economy - vertical base - closed arm

Economy Toggle Clamps



EC602

ECONOMY TOGGLE CLAMPS

Material

Body: steel, zinc plated.
 Rivets: stainless steel.
 Bushes: case hardened and greased.
 Handle: plastic, red, oil resistant.

Supplied complete with clamping screw (with rubber pad).

symbol*) can be changed by pressing in a stop pin on the clamp body.

Technical Notes

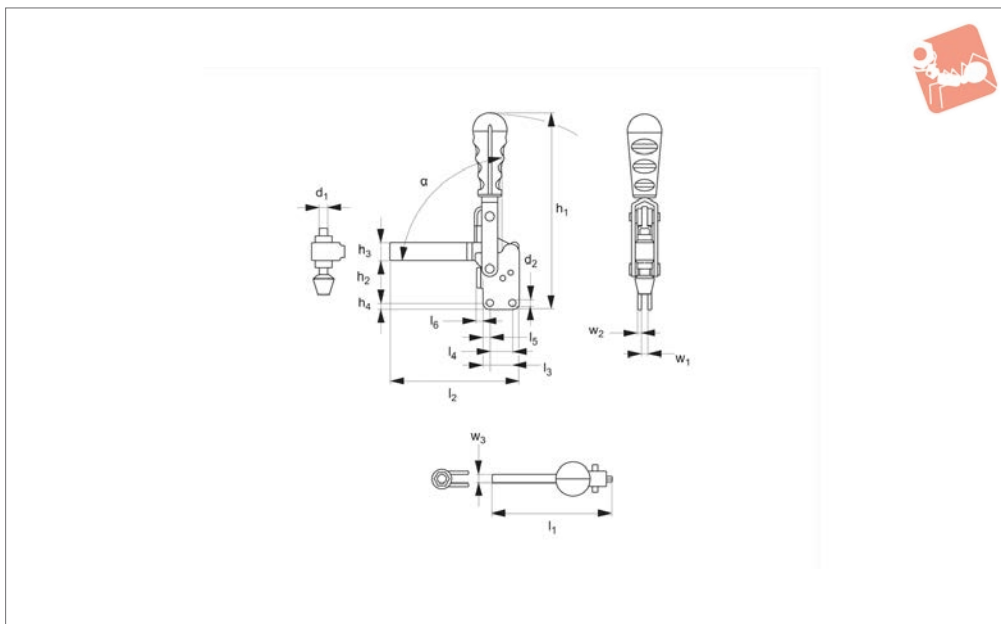
Opening angle (symbola/symbolsymbola/

Order No.	Size	Holding force kN	d ₁	d ₂	h ₁	h ₂	h ₃	Weight g
EC602-2	2	1.1	M 6	5.2	122	28.5	11.0	160
EC602-3	3	1.7	M 8	7.1	190	40.4	17.5	380
EC602-4	4	2.8	M10	8.3	240	54.5	22.0	600
EC602-5	5	3.6	M12	8.7	240	57.4	22.5	1100

Order No.	h ₄	l ₁	l ₂	l ₃	l ₄	l ₅	l ₆	l ₇	w ₁	w ₂	w ₃	α/α*
EC602-2	5.5	71.2	27	21.7	12.7	8.3	7	6.7	6.2	6	3	93°
EC602-3	7.5	90.2	35	29.2	19.0	18.8	8	5.5	8.9	6	3	91°
EC602-4	9.5	142.0	50	62.0	32.0	12.3	9	10.0	10.6	8	4	90°/115°
EC602-5	9.5	179.0	51	81.4	31.8	20.0	10	12.2	13.4	10	5	101°/129°



EC606



Material

Body: steel, zinc plated.

Bushes: case hardened and greased.

Handle: plastic, red, oil resistant.

Supplied complete with clamping screw (with rubber pad).

Order No.	Size	Holding force kN	d ₁	d ₂	h ₁	h ₂	h ₃	h ₄	l ₁	Weight g
EC606-3	3	2.0	M 8	7.1	190	40.4	17.5	7.5	123	380
EC606-4	4	3.4	M10	8.3	240	54.5	22.0	9.5	141	600
EC606-5	5	4.5	M12	8.7	240	57.4	22.5	9.5	176	1100

Order No.	l ₂	l ₃	l ₄	l ₅	l ₆	w ₁	w ₂	w ₃	α
EC606-3	88.4	35	19	8	5.5	6	6	3	90°
EC606-4	90.0	50	32	9	10.0	8	8	4	90°
EC606-5	125.0	51	32	10	12.2	10	10	5	103°