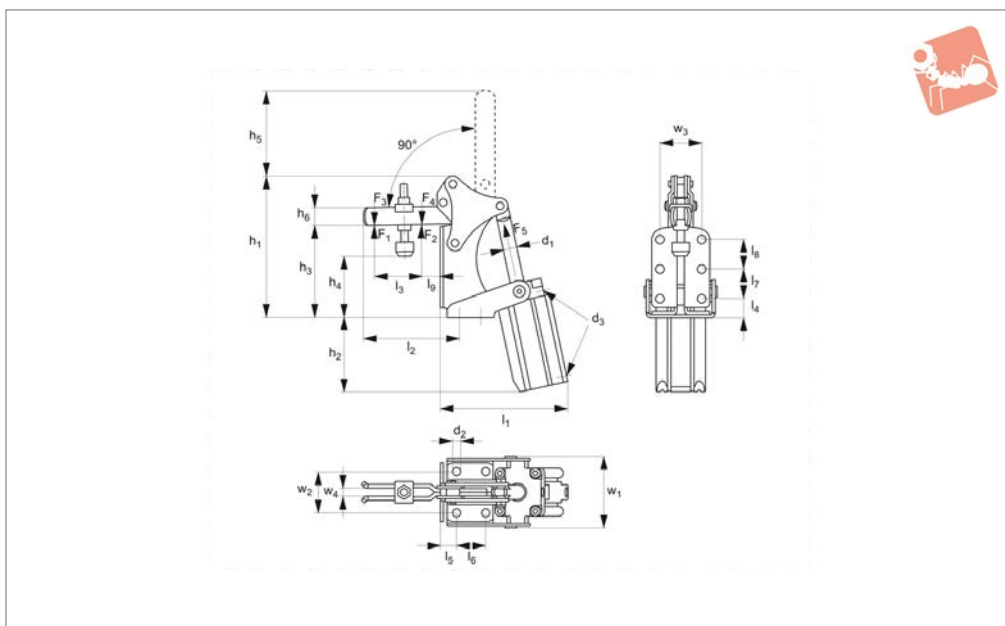




Pneumatic Toggle Clamp with vertical cylinder

Pneumatic Toggle Clamps



47060

PNEUMATIC TOGGLE CLAMPS

Material

Body: steel, zinc plated.
 Bushes: case hardened and greased.
 Rivets: stainless steel.
 Complete with tempered, white zinc plated clamping screw.

Technical Notes

Bearings are pre-lubricated.
 Clamp ready for installation and consists

of:
 - vertical toggle clamp no. 40000 (without handle)
 Pneumatic cylinder, double acting.
 F_3 and F_4 = max. clamping force at 6 bar.
 V_n = air consumption per double stroke in dm^3 at 6 bar.
 Suitable proximity switches for end-position monitoring are available using

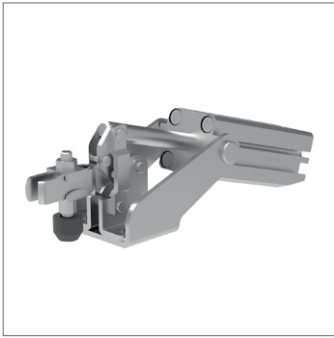
order 45001. 0.3m PUR cable with M8 connector and rotatable knurled nuts.
 Switching function: NOC.
 Output: PNP.

Tips

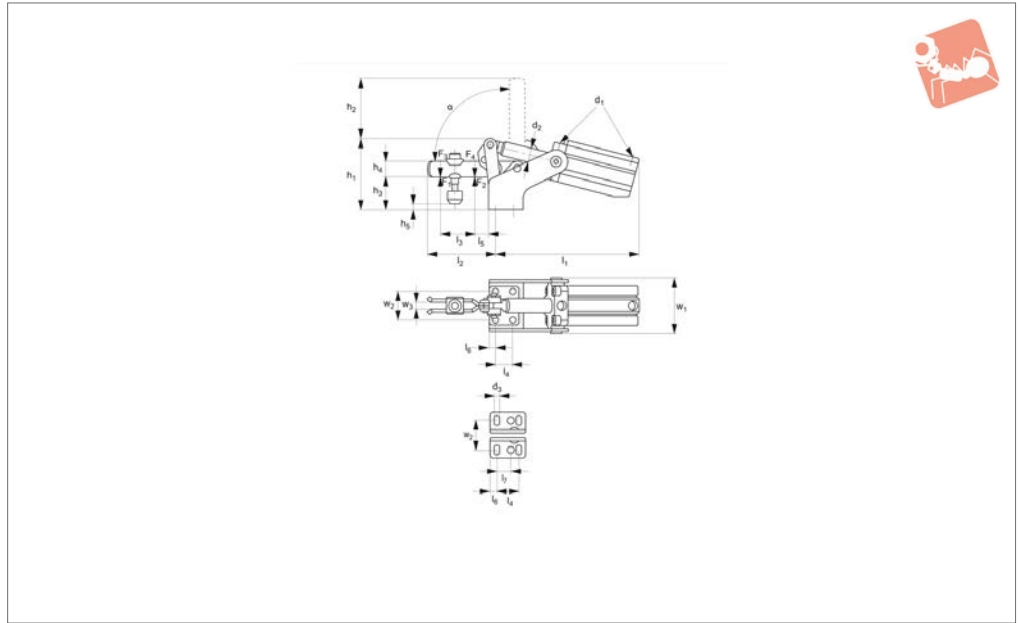
The console is self-supporting and must be clear of other surfaces. There is a valve for controlling the speed of operation.

Order No.	Size	F_1 kN	F_2 kN	F_3 kN	F_4 kN	F_5 kN	Clamping screw	Piston dia.	h_1	h_2	h_3	h_4 min.	h_4 max.	h_5	h_6	Weight g
47060.W0002	2	1.0	1.2	0.70	1.0	0.30	M 6x35	25	100.5	67.5	65.0	38.4	45.0	43	12	625
47060.W0003	3	1.0	2.5	0.65	1.1	0.50	M 8x45	32	114.5	78.0	68.7	38.0	46.5	69	18	1025
47060.W0004	4	2.0	3.0	1.50	2.2	0.75	M 8x65	40	153.0	80.0	100.0	51.0	80.0	92	20	1700

Order No.	l_1	l_2	l_3	l_4	l_5	l_6	l_7	l_8	l_9	w_1	w_2	w_3	w_4	d_1	d_2	d_3	V_n dm^3
47060.W0002	83.0	56.5	25	15.9	15.3	13	13	12.5	6.5	27	6	54.5	26.6	12	5.6	M 5	0.3
47060.W0003	96.0	80.5	36	17.5	16.5	16	16	-	12.5	25	8	62.5	25.0	16	6.5	G1/8	0.4
47060.W0004	123.5	102.0	49	20.5	17.5	32	32	32.0	19.0	45	10	77.5	45.0	16	8.5	G1/4	0.8



47010



PNEUMATIC TOGGLE CLAMPS

Material

Body: steel, zinc plated and galvanised.
 Bushes: case hardened and greased.
 Rivets: stainless steel.
 Complete with tempered, galvanized clamping screw.

Technical Notes

Bearings are pre-lubricated.
 Clamp ready for installation and consists of:

- vertical toggle clamp no. 40000 (without handle)

- FESTO-pneumatic cylinder, double acting.

F_3 and F_4 = max. clamping force at 6 bar.
 piston \varnothing^* = required piston dia. to achieve force F_5 at 6 bar.

V_n = air consumption per double stroke in dm^3 at 6 bar.

Suitable proximity switches for end-

position monitoring are available using order 45001. 0.3m PUR cable with M8 connector and rotatable knurled nuts.
 Switching function: NOC.

Output: PNP.

Tips

The console is self-supporting and must be clear of other surfaces. There is a valve for controlling the speed of operation.

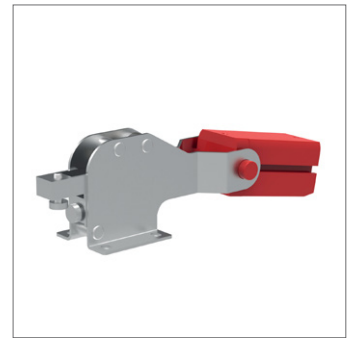
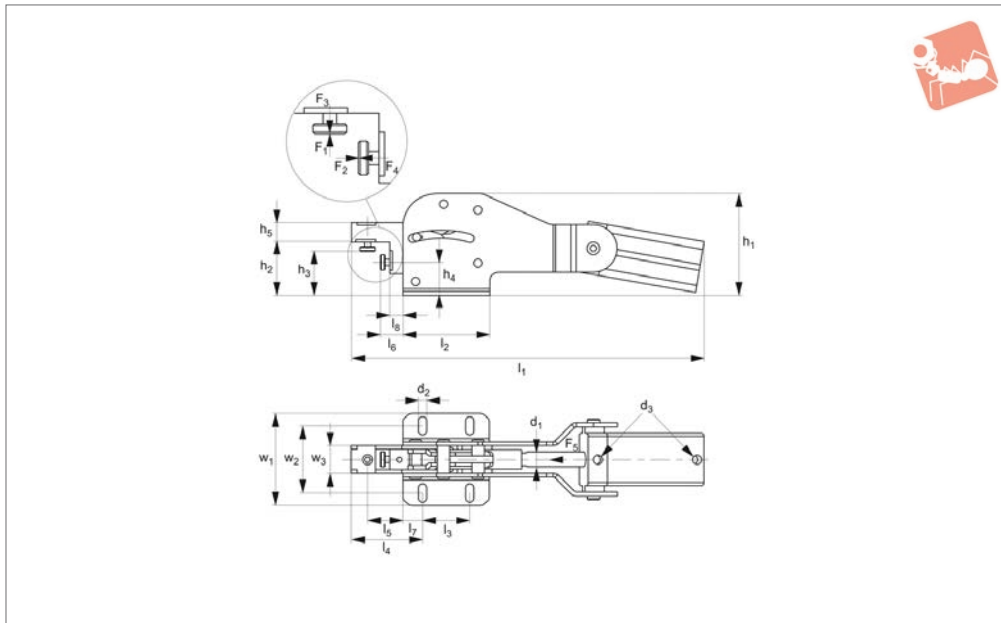
Order No.	Size	F_1 kN	F_2 kN	F_3 kN	F_4 kN	Clamping screw	Piston dia.	d_1	d_2	d_3	h_1	h_2	Weight g
47010.W0001	1	0.8	1.1	0.2	0.3	M 5x30	16	M 5	8	4.5	51.0	34.0	320
47010.W0002	2	1.0	1.2	0.7	1.0	M 6x35	25	M 5	12	5.5	62.0	42.5	600
47010.W0003	3	1.0	2.5	0.7	1.1	M 8x45	32	G1/8	16	7.5	82.0	69.0	1005
47010.W0004	4	2.0	3.0	1.5	2.2	M 8x65	40	G1/8	16	8.6	99.5	92.0	1520

Order No.	h_3	h_4	h_5 min.	h_5 max.	l_1	l_2	l_3	l_4	l_5	l_6	l_7	Opening angle a °	V_n dm^3	w_1	w_2	w_3
47010.W0001	21.0	10	-2.0	4.5	126.0	39.0	18	16	6	6.0	-	92,0°	0.1	50.0	24	5
47010.W0002	26.0	12	-1.0	7.0	145.0	51.5	25	20	11	6.0	12.5	91,5°	0.3	54.5	27	6
47010.W0003	36.5	18	5.4	14.0	165.5	78.0	36	20	19	7.5	-	90,0°	0.4	62.5	32	8
47010.W0004	45.0	20	-3.0	25.5	196.0	101.0	45	32	25	13.0	-	90,5°	0.8	77.5	45	10



Combi Pneumatic Toggle Clamp with horizontal cylinder attachment

Pneumatic Toggle Clamps



47030

PNEUMATIC TOGGLE CLAMPS

Material

Body: steel, zinc plated and galvanised.
Bushes: case hardened and greased.
Rivets: stainless steel.
Complete with tempered, galvanized clamping screw.

Technical Notes

Bearings are pre-lubricated.
Clamp ready for installation and consists

of:

- vertical toggle clamp no. 40000 (without handle)
 - FESTO-pneumatic cylinder, double acting. With magnetic piston for limit position query.
- F_3 and F_4 = max. clamping force at 6 bar.
 V_n = air consumption per double stroke in dm^3 at 6 bar.

Suitable proximity switches for end-position monitoring are available using order 45001. 0.3m PUR cable with M8 connector and rotatable knurled nuts.
Switching function: NOC. Output: PNP.

Tips

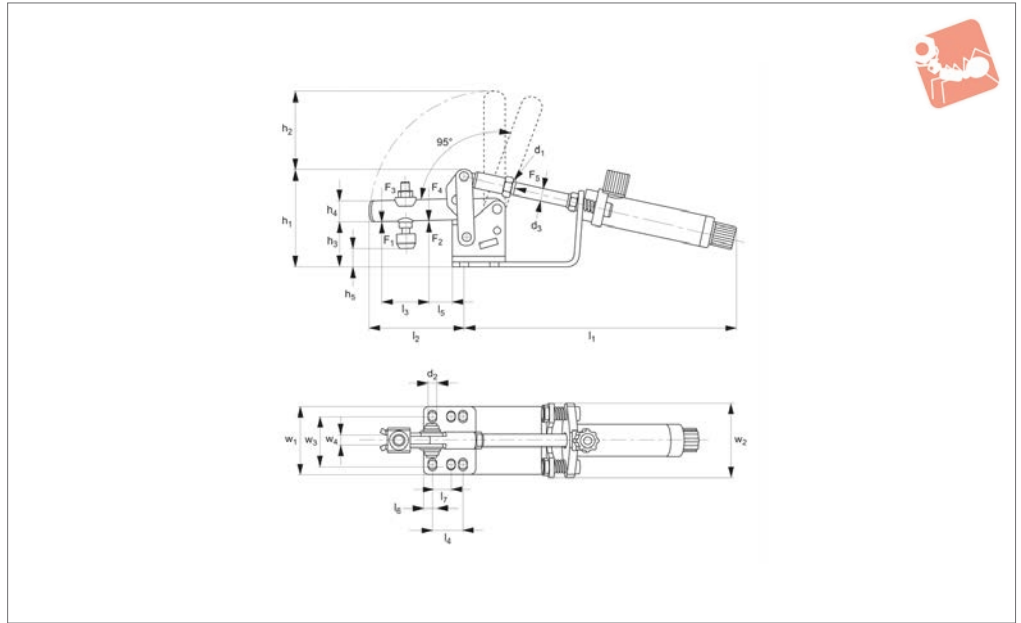
The console is self-supporting and must be clear of other surfaces. There is a valve for controlling the speed of operation.

Order No.	Size	F_1/F_2 kN	F_3 kN	F_4 kN	F_5 kN	Piston dia.	d_1	d_2	d_3	h_1	h_2	h_3 min.	h_3 max.	h_4	Weight g
47030.W0001	1	1	0.3	0.1	0.3	25	5.5	10	M 5	68	36.0	25	32	22	770
47030.W0002	2	2	0.5	0.3	0.4	32	6.5	12	G1/8	88	46.0	30	40	28	1450
47030.W0003	3	3	0.7	0.4	0.8	40	8.5	16	G1/8	106	55.5	40	50	34	3050

Order No.	h_5	l_1	l_2	l_3	l_4	l_5	l_6 min.	l_6 max.	l_7	l_8	V_n dm^3	w_1	w_2	w_3
47030.W0001	12	225	55	40	33	15	5	10	7.5	0.5	0.3	53	34,5-39,5	17.0
47030.W0002	16	305	75	50	56	32	10	20	12.5	10.5	0.4	75	55.0	19.5
47030.W0003	20	370	90	50	74	37	20	30	20.0	14.0	0.8	96	70.0	29.0



47040



PNEUMATIC TOGGLE CLAMPS

Material

Body: steel, zinc plated and galvanised.
 Bushes: case hardened and greased.
 Rivets: stainless steel.
 Complete with tempered, galvanized clamping screw.

Technical Notes

Bearings are pre-lubricated.

Clamp ready for installation and consists of:

- vertical toggle clamp no. 40000 (without handle)
- Plastic pneumatic cylinder, double acting.

F_3 and F_4 = max. clamping force at 6 bar.

V_n = air consumption per double stroke in dm^3 at 6 bar.

Tips

The console is self-supporting and must be clear of other surfaces. There is a valve for controlling the speed of operation.

Order No.	Size	F_1 kN	F_2 kN	F_3 kN	F_4 kN	F_5 kN	Clamping screw	d_1	d_2	d_3	h_1	h_2	h_3	Weight g
47040.W0000	0	0.5	0.7	0.07	0.09	38	M 4x25	M 4	4.5	4	46	23.0	20	125
47040.W0001	1	0.8	1.1	0.13	0.18	60	M 5x30	M 6	4.5	6	50	34.5	22	400
47040.W0002	2	1.0	1.2	0.35	0.50	170	M 6x35	M 8	5.4	8	63	42.5	27	600
47040.W0003	3	1.4	2.5	0.55	1.00	265	M 8x45	M10x1,25	7.1	10	64	69.0	38	800

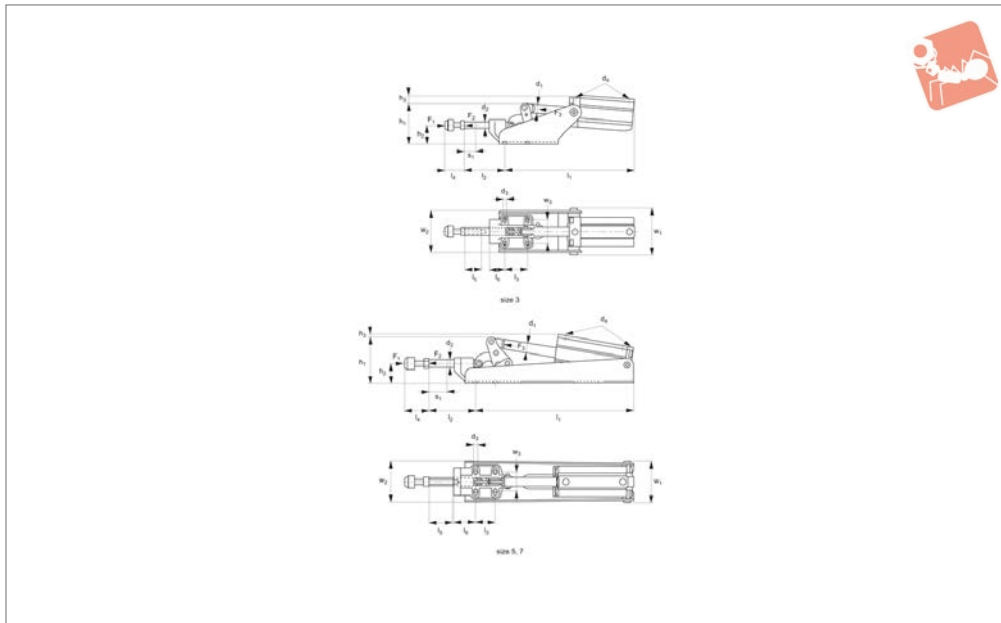
Order No.	h_4	h_5 min.	h_5 max.	l_1	l_2	l_3	l_4	l_5	l_6	l_7	V_n dm^3	w_1	w_2	w_3	w_4
47040.W0000	8	-1	6	132	31	14	13.5	5.5	5.0	-	0.03	33	29	23	4
47040.W0001	10	-2	5	145	38	18	16.0	6.0	6.0	-	0.06	34	33	24	5
47040.W0002	12	1	8	163	52	25	20.0	11.0	6.0	12.5	0.17	44	54	27	6
47040.W0003	18	7	16	205	78	37	20.0	19.0	7.5	-	0.30	50	59	32	8



Push Type Pneumatic Toggle Clamp

heavy duty version

Pneumatic Toggle Clamps



47050

PNEUMATIC TOGGLE CLAMPS

Material

Console: steel, zinc plated.
 Clamp body: malleable iron casting, painted.
 Lever parts and push rod: zinc plated, passivated and tempered.
 Rivets: stainless steel.

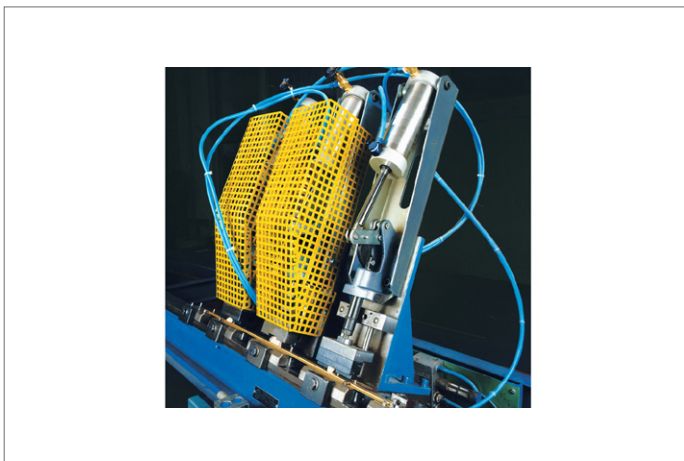
Bearing positions are greased. Pneumatic cylinder with magnetic piston for end-position monitoring. Complete with zinc plated and tempered clamping screw no. 45020.

Technical Notes

Heavy duty version for long working life. Suitable proximity switches for end-position monitoring are available using order 45001. 0.3 m PUR cable with M8 connector and rotatable knurled nuts. Switching function: NOC. Output: PNP.

Order No.	F ₁ kN	F ₂ kN	F ₃ kN	Clamping screw	Piston dia.	d ₁	d ₂	d ₃	d ₄	h ₁	h ₂	h ₃	Weight g
47050.W0003	4	2.5	0.75	M 8 x 35	40	16.0	12	6.5	G1/8	72	33	22	2610
47050.W0005	10	5.0	1.00	M12 x 50	50	20.0	16	8.5	G1/4	96	41	22	5265
47050.W0007	25	10.0	1.80	M12 x 50	63	20.0	22	11.0	G1/4	128	59	29	6120

Order No.	l ₁	l ₂	l ₃	l ₄ min.	l ₄ max.	l ₅	l ₆	Stroke s ₁	Vn dm ³	w ₁	w ₂	w ₃
47050.W0003	232	72	41	21.5	35	30	28	20	0.8	83	73.5	41
47050.W0005	316	98	41	30.0	50	30	45	29	2.2	86	84.0	41
47050.W0007	422	105	70	30.0	50	50	45	38	4.5	93	114.0	57

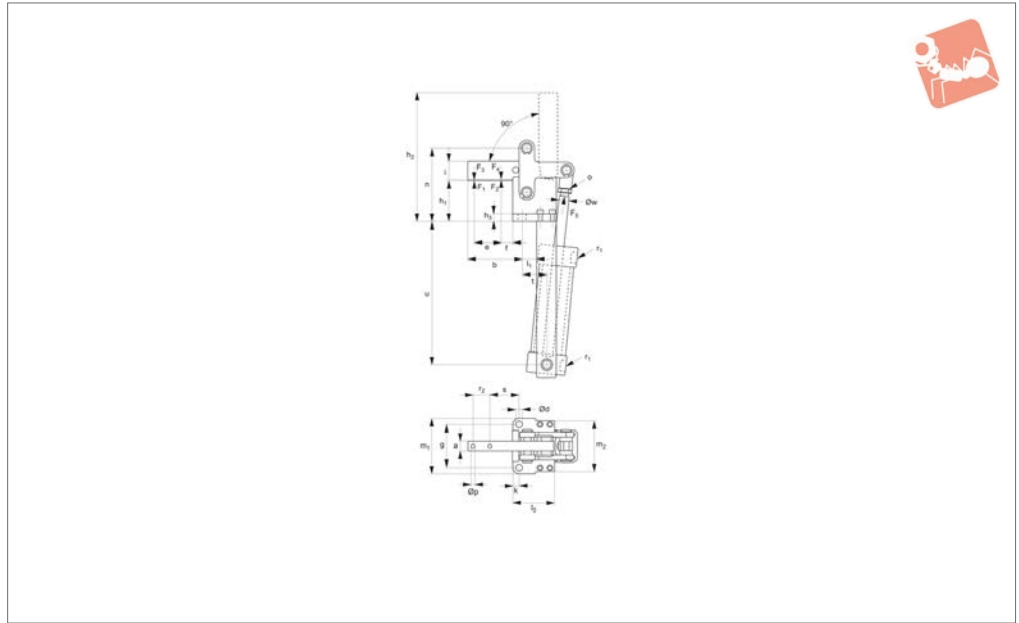


Pneumatic Toggle Clamps

Heavy Duty Vertical Pneumatic Toggle with vertical cylinder mounting



47800



PNEUMATIC TOGGLE CLAMPS

Material

Body: tempered steel, burnished.
Axle bolts: tempered and ground, locked with circlips.
Bushes: case hardened and greased.

Technical Notes

Clamp ready for installation, fitted with FESTO-pneumatic cylinder, double acting.

f_3 and f_4 = max. clamping force at 6 bar.
Piston dia. = required piston dia. to

achieve force f_5 at 6 bar.

V_n = air consumption per double stroke in dm^3 at 6 bar.

Tips

Ideal for installation in material handling lines and special purpose machines.
Opening and closing of clamp can be controlled electronically, allowing integration into automated processes.
See also no. 46200 <X\46200#25> - clamp only.

Clamps are maintenance free, due to heat-treated and ground axel bolts. Holes are provided in arm to allow fixing of clamping elements via welding or screws.

Important Notes

Magnetic piston for end-position sensing.

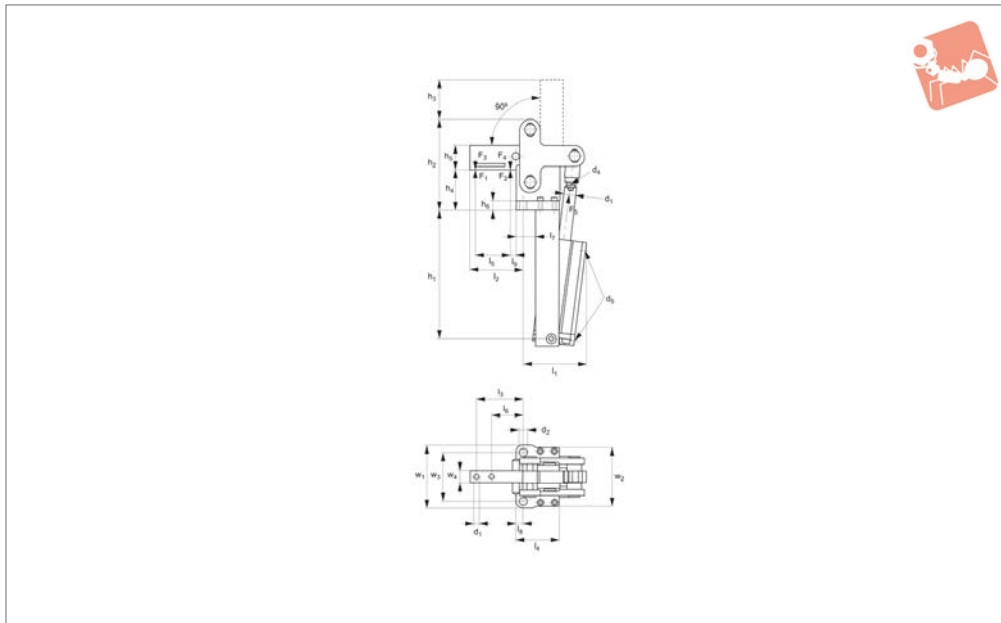
Please order proximity switch separately from FESTO, see table for details.

Order No.	Size	F_1 kN	F_2 kN	F_3 kN	F_4 kN	F_5 kN	V_n dm^3	h_1	h_2	h_3	a	b	d	Dia. p	e	f	Weight g
47800.W0006	6	12	18	2.5	3.5	1.0	1.8	69	226	15	20	91	13	8.2	60	10.0	7250
Order No.	g_1	i	k	l_1	l_2	m_1	m_2	n	o	Ø w	Piston dia.	Piston stroke	r_1	r_2	s	t	u
47800.W0006	83	40	12	32	73.5	107	100	137	M16x1,5	16	50	87	G1/4	26	54	48	221



Heavy Duty Pneumatic Clamp with vertical cylinder

Pneumatic Toggle Clamps



47850

PNEUMATIC TOGGLE CLAMPS

Material

Body: tempered steel, burnished.
Axle bolts: tempered and ground, locked with circlips.
Bushes: case hardened and greased.

Technical Notes

With swivel mounting and adj. end position cushioning.
Clamp ready for installation, fitted with pneumatic cylinder double acting.

F_3 and F_4 = max. clamping force at 6 bar.
 V_n = air consumption per double stroke in dm^3 at 6 bar.
Suitable proximity switches for end-position monitoring are available using order 45001. 0.3m PUR cable with M8 connector and rotatable knurled nuts.
Switching function: NOC. Output: PNP.

Tips

Ideal for installation in material handling lines and special purpose machines.

Opening and closing of clamp can be controlled electronically, allowing integration into automated processes.
See also no. 46100 <X\46100#25> - clamp only.

Important Notes

Magnetic piston for end-position sensing.

Order No.	Size	F_1 kN	F_2 kN	F_3 kN	F_4 kN	F_5 kN	V_n dm^3	h_1	h_2	h_3	h_4	h_5	h_6	l_1	l_2	l_3	Weight g
47850.W0004	4	6	9	1.5	2.2	0.8	1.0	193	129.5	75.5	65	30	12	103	82	74	3850
47850.W0006	6	12	18	2.5	3.5	1.0	1.6	221	154.5	68.5	69	40	15	120	91	80	6950
47850.W0008	8	20	30	4.0	6.0	1.8	1.8	255	204.0	110.0	94	60	20	162	125	107	13160

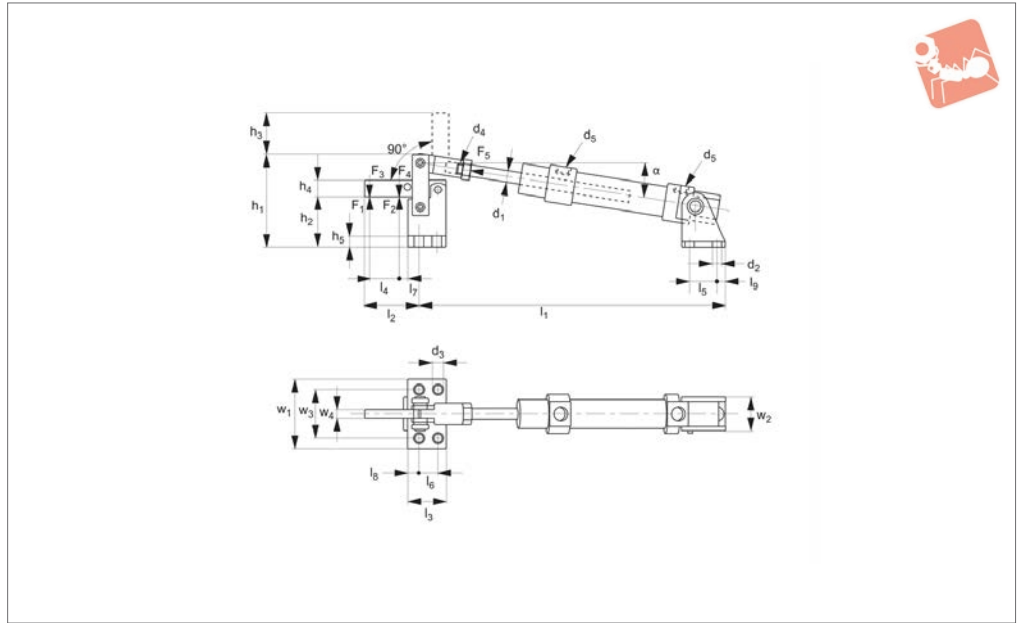
Order No.	l_4	l_5	l_6	l_7	l_8	Piston dia.	w_1	w_2	w_3	w_4	d_1	d_2	d_3	d_4	d_5
47850.W0004	67	54	47	37	10	40	90	82	70	15	16	11	6.2	M12x1,25	G1/8
47850.W0006	74	60	54	34	12	50	107	100	83	20	20	13	8.2	M16x1,50	G1/4
47850.W0008	109	95	67	49	15	63	145	115	115	30	20	17	13.0	M16x1,50	G1/4

Pneumatic Toggle Clamps

Pneumatic Toggle Clamps heavy duty - horizontal



47480



PNEUMATIC TOGGLE CLAMPS

Material

Tempered steel, blued.
The axle bolts run in bronze bushes and are tempered, ground and locked with circlips.

Technical Notes

Clamp ready for installation and consists of:
- heavy duty vertical toggle clamp no. 46100
- FESTO-pneumatic cylinder, double acting.

- Bearing block.

F_3 and F_4 = max. clamping force at 6 bar.
* V_n = air consumption per double stroke in dm^3 at 6 bar.
Cylinders are to DIN ISO 6432.

Tips

Ideal for installation in material handling lines and special purpose machines.
Opening and closing of clamp can be controlled electronically, allowing integra-

tion into automated processes.
See also no. 46100 <X\46100#25> - clamp only.

Important Notes

Magnetic piston for end-position sensing.

Please order proximity switch separately from FESTO, see table for details.

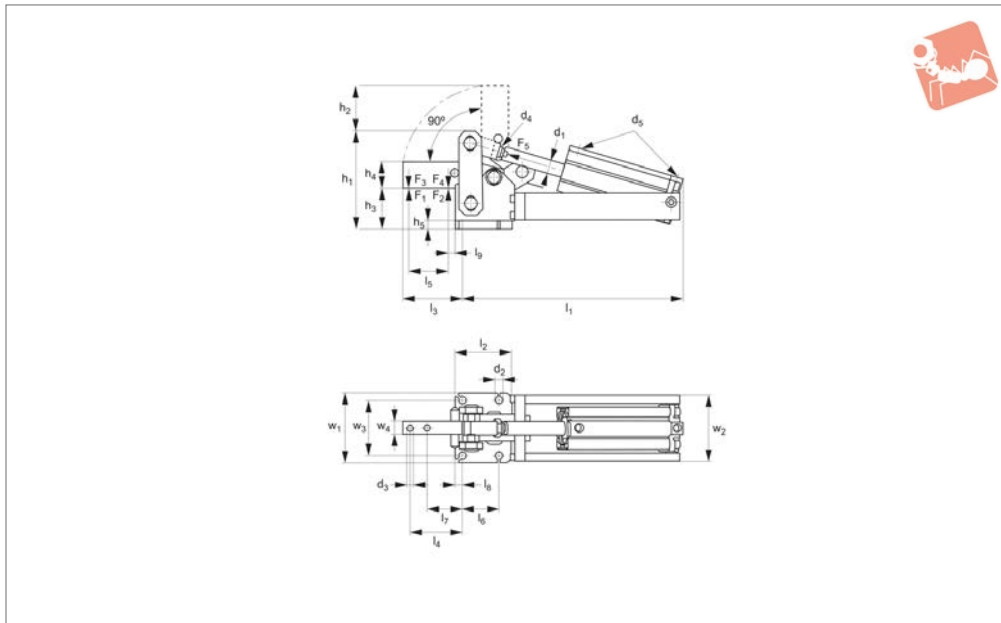
Order No.	Size	F_1 kN	F_2 kN	F_3 kN	F_4 kN	F_5 kN	Piston stroke s_1	h_1	h_2	h_3	h_4	h_5	l_1	l_2	l_3	l_4	Weight g
47480.W0000	0	0.6	1.0	0.2	0.4	0.1	40	53	26	23	10	6	195	34	22	14	260
47480.W0001	1	0.8	1.2	0.6	0.8	0.2	40	68	37	28	12	8	238	41	28	17	500

Order No.	l_5	l_6	l_7	l_8	l_9	w_1	w_2	w_3	w_4	d_1	d_2	d_3	d_4	d_5	Piston dia.	V_n dm^3	α
47480.W0000	15	11	7	5.5	5	35	27	27.5	5	6	5.5	4.5	M 6	M 5	16	0.1	6,6°
47480.W0001	20	14	9	8.0	6	50	35	34.0	6	8	6.5	7.0	M 8	G1/8	20	0.2	9,0°



Heavy Duty Pneumatic Toggle Clamps with horizontal cylinder

Pneumatic Toggle Clamps



47500

PNEUMATIC TOGGLE CLAMPS

Material

Body: tempered steel, burnished.
Axle bolts: tempered and ground, locked with circlips.
Bushes: case hardened and greased.

Technical Notes

Clamp ready for installation and consists of:
- heavy duty vertical toggle clamp no. 46100
Pneumatic cylinder, double acting.

F_3 and F_4 = max. clamping force at 6 bar.
 V_n = air consumption per double stroke in dm^3 at 6 bar.
Suitable proximity switches for end-position monitoring are available using order 45001. 0.3m PUR cable with M8 connector and rotatable knurled nuts.
Switching function: NOC. Output: PNP.

Tips

Ideal for installation in material handling lines and special purpose machines.
Opening and closing of clamp can be

controlled electronically, allowing integration into automated processes.
See also no. 46100 <X\46100#25> - clamp only.
Holes are provided in the arm to allow fixing of clamping elements by screwing or welding. Also available in a hydraulic version.

Important Notes

Magnetic piston for end-position sensing.

Order No.	Size	F_1 kN	F_2 kN	F_3 kN	F_4 kN	F_5 kN	h_1	h_2	h_3	h_4	h_5	l_1	l_2	l_3	l_4	l_5	Weight g
47500.W0004	4	6	9	1.5	2.2	0.8	122	75	57	30	12	284	77	82	74	54	4800
47500.W0006	6	12	18	2.5	3.5	1.0	147	68	61	40	12	333	85	90	79	60	6965
47500.W0008	8	20	30	4.0	6.0	1.8	196	110	86	60	12	404	113	128	110	95	12785

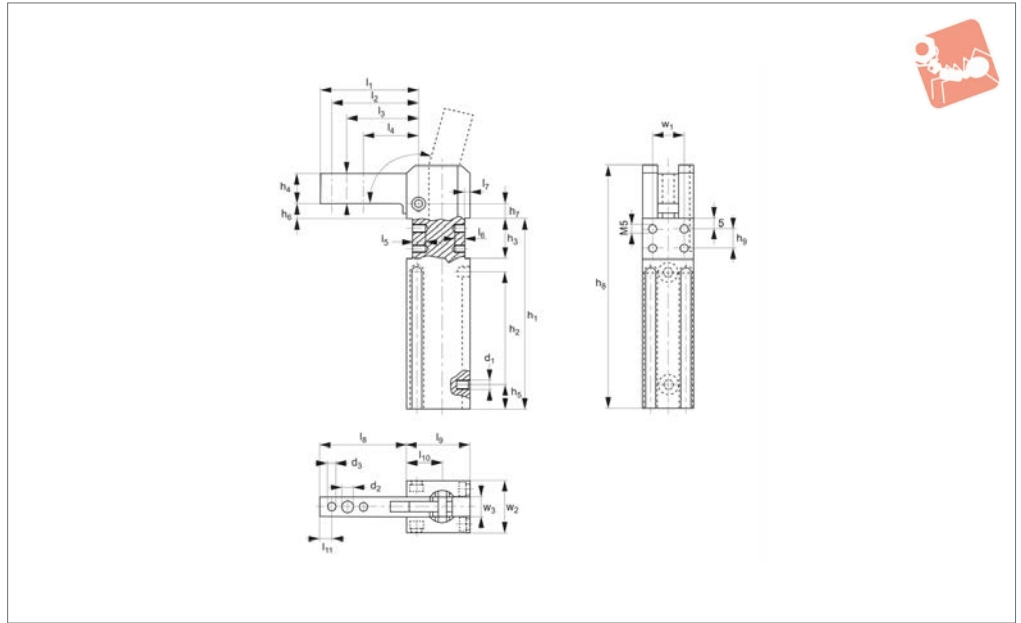
Order No.	l_6	l_7	l_8	l_9	w_1	w_2	w_3	d_1	d_2	d_3	d_4	d_5	Piston dia.	V_n dm^3
47500.W0004	52	47	10	10	90	82	70	16	11	6.2	M12x1,25	G1/8	40	1.0
47500.W0006	55	53	11	10	105	100	83	20	11	8.2	M16x1,50	G1/4	50	1.8
47500.W0008	80	70	13	10	135	123	111	20	13	13.0	M16x1,50	G1/4	63	4.3

Pneumatic Toggle Clamps

Pneumatic Toggle Clamp double acting



47902



PNEUMATIC TOGGLE CLAMPS

Material

Case: high-strength aluminium, red anodised.

Clamp arm: steel, burnished, with three holes.

Max. operating pressure 6 bar. Mini design

in block version for clamping and gripping applications. Magnetic piston for end-position monitoring.

Technical Notes

Suitable proximity switches for end-

position monitoring are available using order 45001. 0.3m PUR cable with M8 connector and rotatable knurled nuts. Switching function: NOC. Output: PNP.

Order No.	Size	Clamping moment at 5 bar Nm	Holding moment Nm max.	l_1	l_2	l_3	l_4	l_5	l_6	l_7	l_8	l_9	l_{10}	l_{11}	Weight g
47902.W0001	16	8	25	50	44	36	28	7	5	2.5	44	32	18	6	300
47902.W0002	20	15	54	60	52	42	32	8	6	3.0	53	39	22	8	550
47902.W0003	25	25	75	75	65	53	40	8	6	4.0	68	45	25	10	850

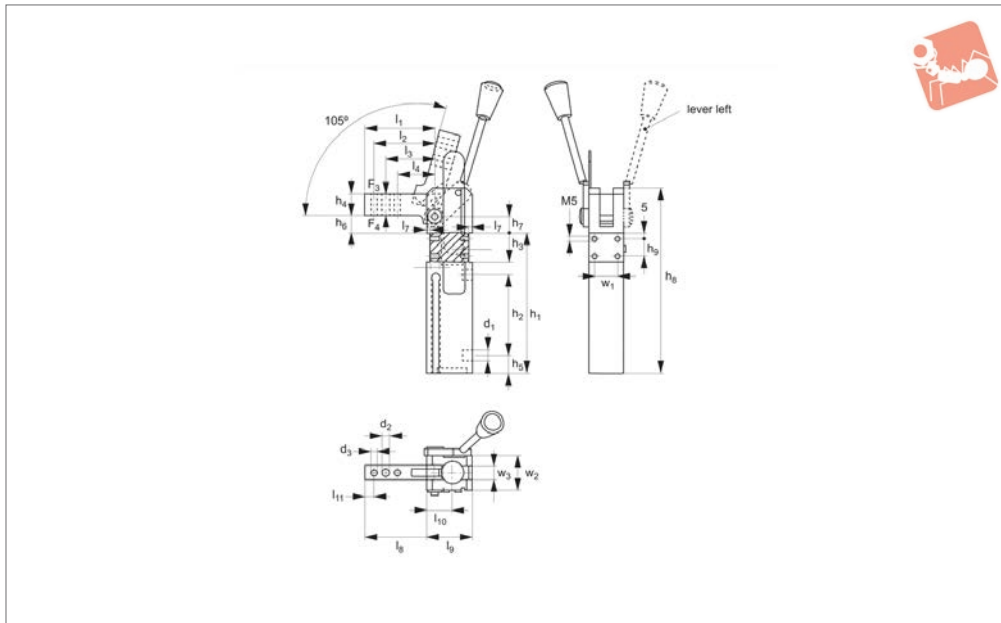
Order No.	h_1	h_2	h_3 +0.1	h_4	h_5	h_6	h_7	h_8	h_9 ± 0.1	d_1	d_2	d_3 tol. H7	w_1 ± 0.1	w_2	w_3	w_4	Piston dia.
47902.W0001	96	57	20	15	12	7.5	7.5	123	10	M 5	5.5	4	16	26	10	18	16
47902.W0002	120	69	25	18	15	15.0	14.0	158	15	G1/8	6.5	5	20	30	12	22	20
47902.W0003	136	80	28	22	18	19.0	17.0	182	18	G1/8	8.5	6	25	35	16	25	25



Pneumatic Clamp with Lever

double acting

Pneumatic Toggle Clamps



47904

PNEUMATIC TOGGLE CLAMPS

Material

Case: high-strength aluminium, red anodised.

Clamp arm: steel, bronzed, with three bores.

Max. operating pressure 6 bar. Double-acting and with additional lever for manual

opening and/or closing. Mini design in block version for clamping and gripping applications.

Magnetic piston for end-position monitoring.

Technical Notes

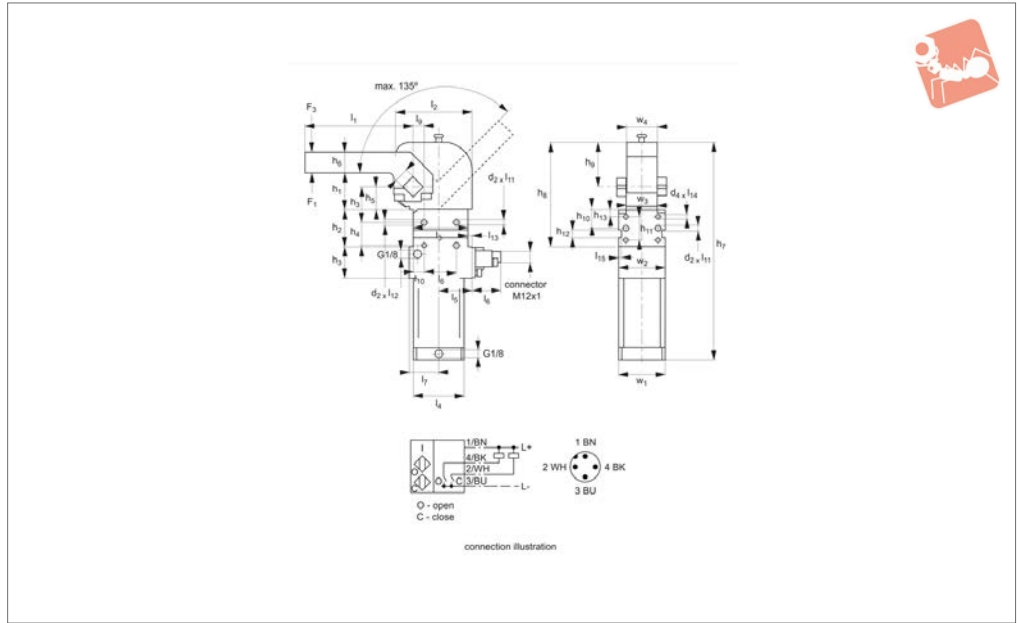
Suitable proximity switches for end-position monitoring are available using order 45001. 0.3m PUR cable with M8 connector and rotatable knurled nuts. Switching function: NOC. Output: PNP.

Order No.	Size	Clamping moment at 5 bar Nm	Holding moment Nm max.	l_1	l_2	l_3	l_4	l_5	l_6	l_7	l_8	l_9	l_{10}	l_{11}	h_1	Weight g
47904.W0001	16	8	25	50	44	36.0	28	7	5	2.5	44	32	18	6	96	320
47904.W0002	16	8	25	50	44	36.0	28	7	5	2.5	44	32	18	6	96	320
47904.W0003	20	15	54	60	52	42.0	32	8	6	3.0	53	39	22	8	120	700
47904.W0004	20	15	54	60	52	42.0	32	8	6	3.0	53	39	22	8	120	700
47904.W0005	25	25	75	75	65	52.5	40	8	6	4.0	68	45	25	10	136	920
47904.W0006	25	25	75	75	65	52.5	40	8	6	4.0	68	45	25	10	136	920

Order No.	h_2	h_3 +0.1	h_4	h_5	h_6	h_7	h_8	h_9 ±0.1	d_1	d_2	d_3 tol. H7	w_1 ±0.1	w_2	w_3	Lever type	Piston dia.
47904.W0001	57	20	15	12	7.5	7.5	123	10	M 5	5.5	4	10	26	10	Right	16
47904.W0002	57	20	15	12	7.5	7.5	123	10	M 5	5.5	4	10	26	10	Left	16
47904.W0003	69	25	18	15	15.0	14.0	158	15	G1/8	6.5	5	20	30	12	Right	20
47904.W0004	69	25	18	15	15.0	14.0	158	15	G1/8	6.5	5	20	30	12	Left	20
47904.W0005	80	28	22	18	19.0	17.0	182	18	G1/8	8.5	6	18	35	16	Right	25
47904.W0006	80	28	22	18	19.0	17.0	182	18	G1/8	8.5	6	18	35	16	Left	25



47910.1



Material

Case: aluminium. Max. operating pressure 6 bar. With continuously adjustable opening angle in the range 10° to 135°. With pneumatic end position cushioning and self-locking. With inductive query 24V as standard. **Clamp arm not included.**

Technical Notes

Accessories (not included in the standard

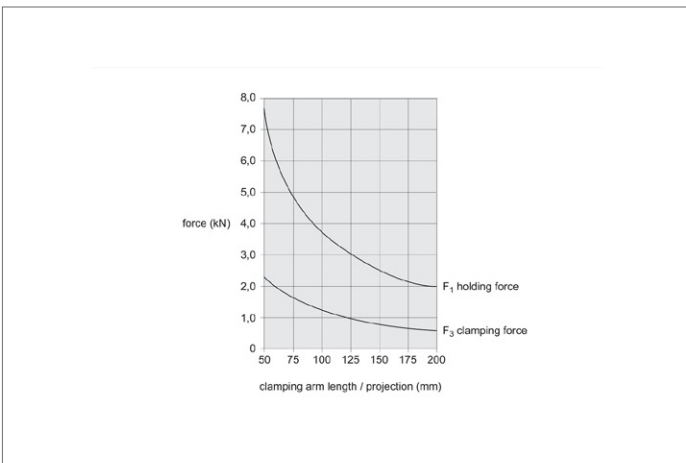
scope of delivery) are clamping arm no. 47912.W0210 - .W0218 centre, right and left, and connecting plug for inductive query. Piston diameter: 40mm. Clamping moment at 5 bar 120Nm. Holding moment max. 380Nm.

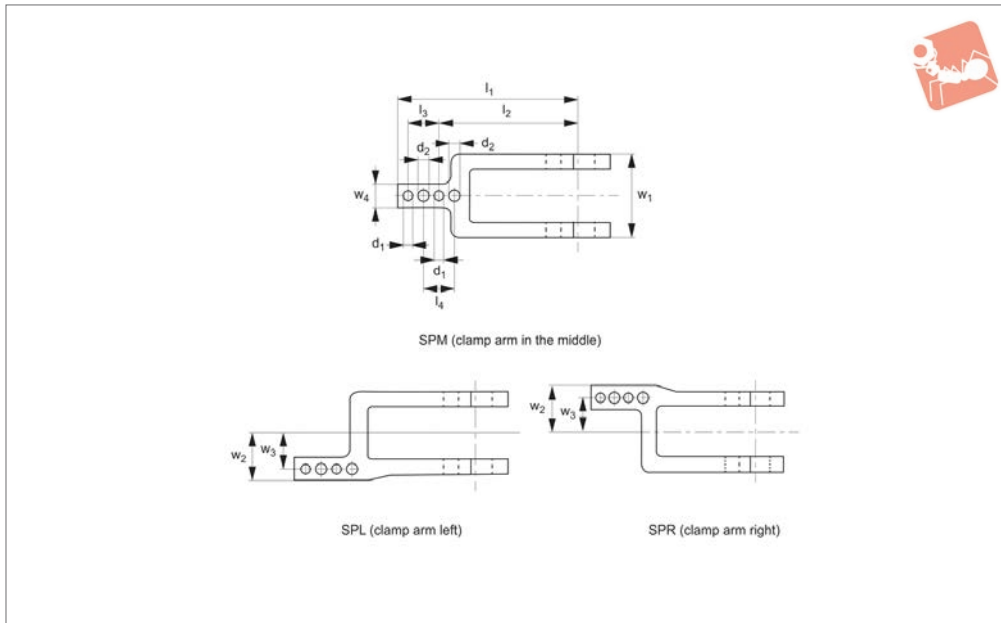
Tips

These pneumatic toggle clamps are

suitable for use in material handling lines and on special machines. Opening and clamping position of the clamp can be controlled electrically, allowing integration into automated manufacturing processes.

Order No.	l_1	l_2	l_3	l_4	l_5	l_6	l_7	l_8	l_9	l_{10}	l_{11}	l_{12}	l_{13}	l_{14}	l_{15}	h_1	h_{10}	Weight
47910.W0001	117	83	60	55	36	35	34	32	± 0.05	± 0.05	8	6	4	12	3.5	40	± 0.05	1400
Order No.	h_{11}	h_{12}	h_{13}	h_2	h_3	h_4	h_5	h_6	h_7	h_8	h_9	d_1	h_9	d_2	w_1	w_2	w_3	w_4
47910.W0001	25	8	± 0.1	40	± 0.05	25	25	22	235.5	113	48	tol.	16	6	50	50	35	-0.5





47910.2

PNEUMATIC TOGGLE CLAMPS

Material

Steel.

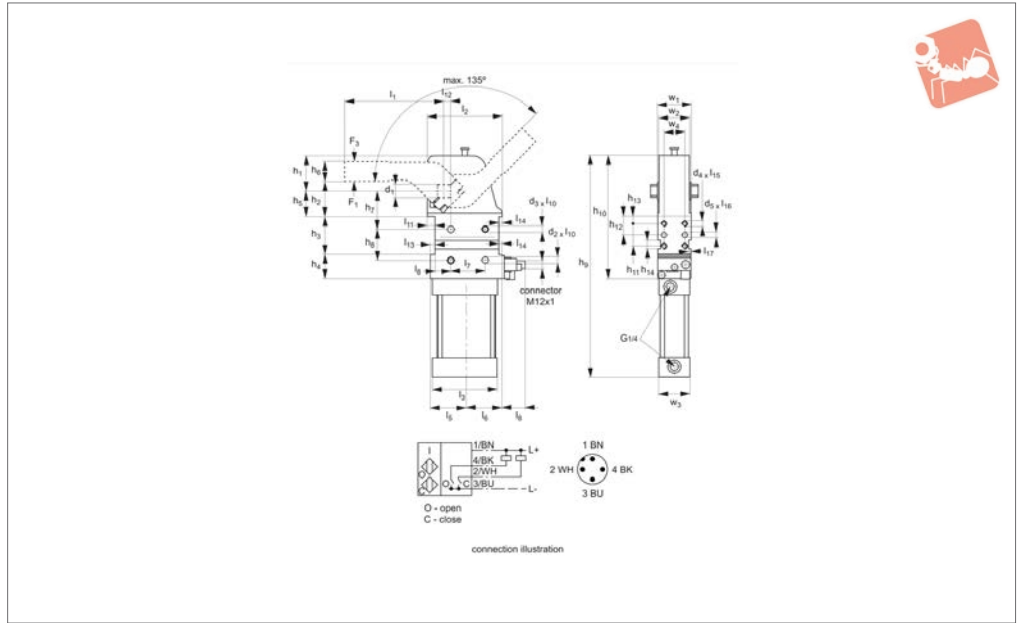
Technical Notes

For heavy pneumatic toggle clamp no. 47910.W0001, size 40.

Order No.	Size	Clamp for 47910.W0001	l_1	l_2 ± 0.1	l_3 ± 0.02	l_4 ± 0.02	d_1	d_2	w_1	w_2	w_3 ± 0.1	w_4 -0.1	Weight g
47910.W0210	40	Left	117	90	20	20	6	7	54	31	23	16	520
47910.W0211	40	Middle	117	90	20	20	6	7	54	31	23	16	520
47910.W0212	40	Right	117	90	20	20	6	7	54	31	23	16	520



47912.1



PNEUMATIC TOGGLE CLAMPS

Material

Case: aluminium. Max. operating pressure 6 bar. With continuously adjustable opening angle in the range 5° to 135°. With pneumatic end position cushioning and self-locking. With inductive query 24V as standard. **Clamp arm not included.**

Technical Notes

Accessories (not included in the standard

scope of delivery) are clamping arm no. 47912.W0210 - .W0218 centre, right and left, and connecting plug for inductive query.

Tips

These pneumatic toggle clamps are suitable for use in material handling lines and on special machines. Opening and clamping position of the clamp can be

controlled electrically, allowing integration into automated manufacturing processes.

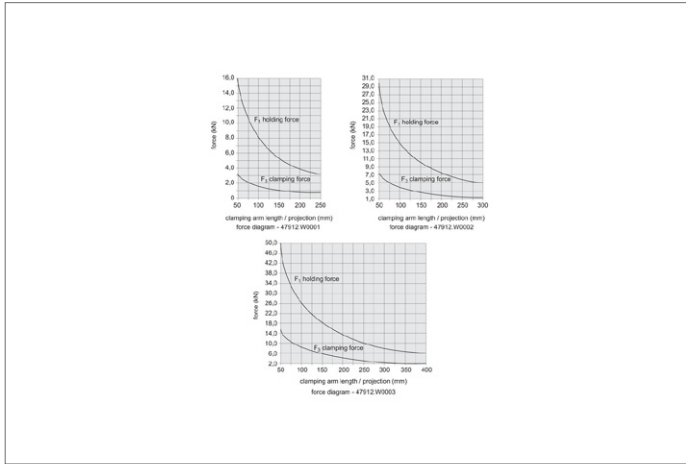
Order No.	l ₁	l ₂	l ₃	l ₄	l ₅	l ₆	l ₇	l ₈	l ₉ ±0.1	l ₁₀	l ₁₁	l ₁₂	l ₁₃	l ₁₄	l ₁₅	h ₁	h ₁₀ ±0.2	h ₁₁ ±0.1	Weight g
47912.W0001	144	108.0	94	93	52	52	50	33	23	12	11	10	7	5	12	51.5	178	32	3.5
47912.W0002	144	112.5	106	93	54	54	50	34	23	12	12	10	8	8	12	58.5	185	32	4.6
47912.W0003	179	162.0	140	134	81	72	70	33	36	13	20	15	8	8	15	88.0	270	50	15.6

Order No.	h ₁₂ ±0.05	h ₁₃ ±0.1	h ₁₄	h ₂	h ₃ ±0.1	h ₄	h ₅ ±0.05	h ₆ ±0.1	h ₇ ±0.05	h ₈	h ₉ ±0.1	d ₁	d ₂ tol. H7	d ₃ tol. H7	d ₄	w ₁	w ₂	w ₃	w ₄
47912.W0001	27	11	12	52	55	35	37	28	55	45	321	19	10	M10	M 8	48	45	45	30
47912.W0002	27	11	12	52	55	35	37	28	55	45	335	22	10	M10	M 8	54	52	52	30
47912.W0003	40	15	12	70	80	55	50	35	65	75	488	30	12	M12	M10	76	74	62	50

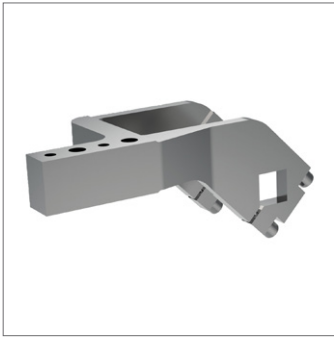


Heavy Pneumatic Toggle Clamp

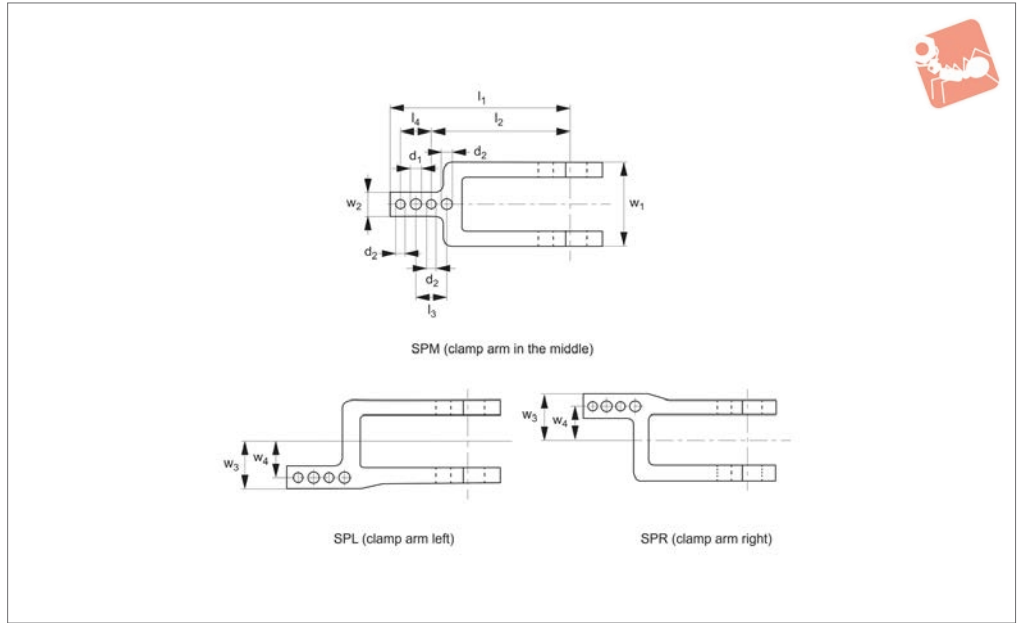
dual acting



PNEUMATIC TOGGLE CLAMPS



47912.2



PNEUMATIC TOGGLE CLAMPS

Material

Steel.

Technical Notes

For heavy pneumatic toggle clamp no. 47912, sizes 50, 63 and 80.

Order No.	Size	Article no.	l_1	l_2 ± 0.2	l_3 ± 0.02	l_4	d_1	d_2 tol. H7	w_1	w_2 -0.1	w_3	w_4 ± 0.1	Weight g
47912.W0210	50	Left	144	30	30	9	9	6	68	20	44	34.0	855
47912.W0211	50	Middle	144	30	30	9	9	6	68	20	44	34.0	855
47912.W0212	50	Right	144	30	30	9	9	6	68	20	44	34.0	855
47912.W0213	63	Left	144	30	30	9	9	6	78	20	47	37.0	1150
47912.W0214	63	Middle	144	30	30	9	9	6	78	20	47	37.0	1150
47912.W0215	63	Right	144	30	30	9	9	6	78	20	47	37.0	1150
47912.W0216	80	Left	179	30	30	9	9	6	108	25	63	50.5	1450
47912.W0217	80	Middle	179	30	30	9	9	6	108	25	63	50.5	1450
47912.W0218	80	Right	179	30	30	9	9	6	108	25	63	50.5	1450